

NSC Pool Pump (50HZ)



Model Definition

NS C 150 G S W S

- S:304; L:316L
- W:50Hz; L:60Hz
- S:3PH(≤3KW,220/380V; >3KW,380V)
- D:1PH(220V/50Hz; 230V/60Hz)
- G:Metric joints; Y:Inch joints
- Motor power HP*100 pump
- Series number
- Pool Pump

Motor

- 230/380V asynchronous two-pole motor
- Protection class: IP55
- Insulation class: F
- Continuous operation capability
- Built-in overheat protection short circuit device

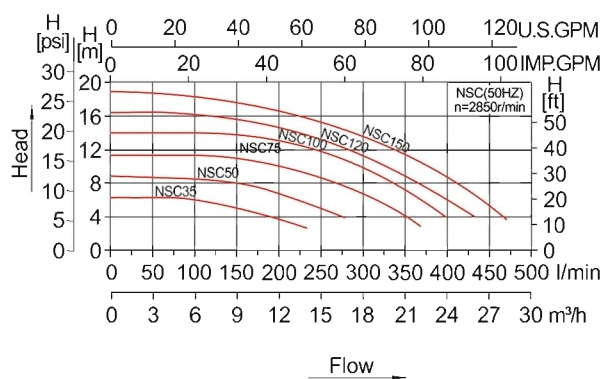
Materials

- Engineering plastics made water inlet and outlet
- Mechanical seal module material: Graphite/ Silicon Carbide
- O-ring: NBR
- Aluminium motor casing

Working Condition

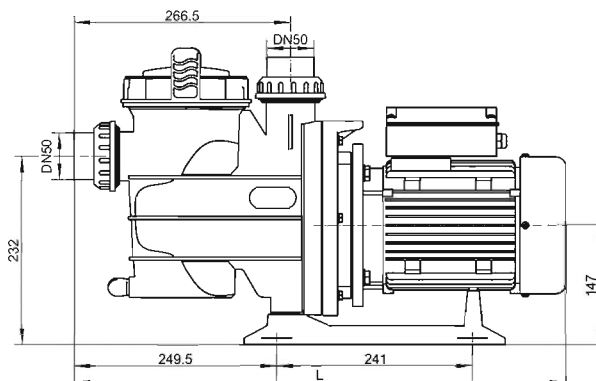
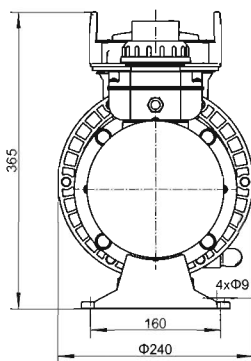
- Working Temp: 5-50°C
- Ambient Temp: ≤40°C
- Max Working Pressure: 0.3MPa
- Max Self-priming Height: 3 meters

Performance Curve



Installation Sketch

Model	L
NSC35	
NSC50	561
NSC75	
NSC100	
NSC120	616
NSC150	



Performance Table

Model	P ₁		Max Head [m]	Max Flow		Packing Size L*W*H[cm]	GW [KG]	Flow Q	Head H[m]								
	[KW]	[HP]		[m³/h]	[l/min]				[m³/h]	[l/min]	3	6	9	12	15	18	21
NSC35	0.37	0.5	6.5	14.0	233	58*26*39	10.3	Head H[m]	6.2	6.0	4.7	3.6					
NSC50	0.55	0.75	8.5	17.0	283	58*26*39	11.1		8.6	8.5	7.6	6.5	5.0				
NSC75	0.75	1	11.0	21.0	350	58*26*39	11.7		10.5	11	10.5	9.5	7.6	5.6	3		
NSC100	0.9	1.2	14.5	24.0	400	66*26*41	14.1		14.0	13.7	13.7	13.2	12.0	9.7	7.2	4.0	
NSC120	1.1	1.5	16.5	25.0	417	66*26*41	15.3		16.5	16.1	15.5	14.5	13.2	11.2	8.9	6.4	
NSC150	1.5	2	19.0	28.0	467	66*26*41	16.5		18.5	18.4	17.6	16.5	15.3	13.5	11.3	8.9	