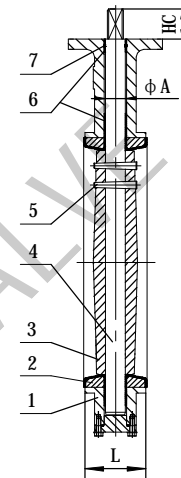
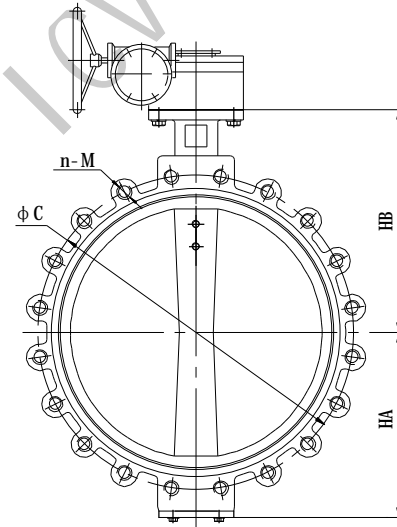


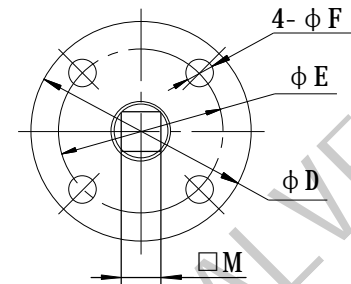
LEVER



WORM GEAR



TOP FLANGE



SIZE		HA	HB	HC	L	φ A	φ C	n-M	φ D	φ E	φ F	M
DN	Inch											
40	1.5"	63	115	30	33	12.7	110	4-M16	65	50	7.5	9
50	2"	66	130	30	43	12.7	125					
65	2.5"	75	140	30	46	12.7	145					
80	3"	95	150	30	46	12.7	160	8-M16	90	70	9.5	11
100	4"	107	170	30	52	15.8	180					
125	5"	122	185	30	56	19.05	210					
150	6"	134	205	30	56	19.05	240	8-M20	90	70	9.5	14
200	8"	168	235	36	60	22.2	295					
250	10"	200	270	36	68	28.6	355					
300	12"	237	305	36	78	31.8	410	12-M24	125	102	11.5	22
350	14"	266	330	36	78	31.8	470					
400	16"	298	360	51	87	33.3	525					
450	18"	350	395	51	106	38	585	20-M27	175	140	18	27
500	20"	375	440	64	127	41.15	650					
600	24"	435	500	71	154	50.65	770					
								20-M30	210	165	22	27
								20-M33	210	165	22	36

7	O-RING	EPDM	1	
6	BUSHING	P. T. F. E.	4	
5	TAPER PIN	SS316	2	DN50-DN125 ONLY ONE
4	STEM	SS316	1	
3	SEAT	EPDM	1	
2	DISC	CF8M	1	
1	BODY	CF8M	1	
NO.	PARTS NAME	MATERIAL	QTY	
TEST PRESSURE	HYDROSTATIC	SHELL	SEAL	
		2.4 MPa	1.76 MPa	
STAND-ARD	AIR			
	DESIGN CODE	DIN		
	INSPECTION & TEST	API 598		
	END STANDARD	DIN PN16		
	FACE TO FACE	DIN 3202		
TITLE : LUG BUTTERFLY VALVE				
APPROVED				REV
CHECKED				
DRAWN		HEBEI HONBBANG VALVE CO., LTD		
DESIGNED		SCALE	UNIT	mm
SIGNATURE				