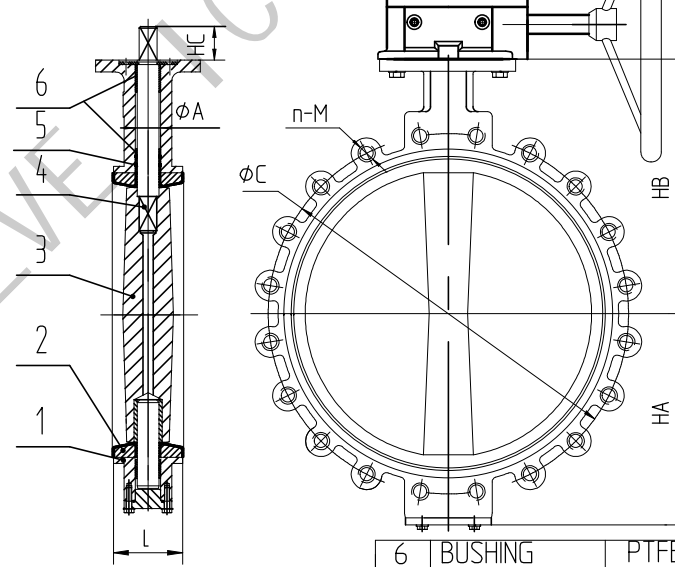
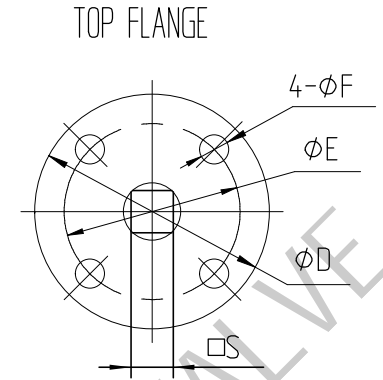


DN50-DN300



DN350-DN600



SIZE		HA	HB	HC	L	φA	φC	n-M	φD	φE	φF	□S
DN	Inch											
50	2"	70	130	30	43	12.7	120.5					9
65	2.5"	75	138	30	46	12.7	139.5	4-5/8"-11	65	50	7.5	11
80	3"	95	145	30	46	12.7	152.4					11
100	4"	106	164	30	52	15.8	190.5	8-5/8"-11				11
125	5"	118	188	30	56	19.05	216		90	70	10	14
150	6"	138	203	30	56	19.05	241.5	8-3/4"-10				14
200	8"	163	238	36	60	22.2	298.5					17
250	10"	202	284	36	68	28.6	362	12-7/8"-9				22
300	12"	239	318	36	78	31.8	432		125	102	12	22
350	14"	262	330	36	78	31.8	476	12-1"-8				22
400	16"	300	360	51	102	33.3	539.5	16-1"-8	175	140	18	27
450	18"	320	425	51	114	38	578	16-1 1/8"-7				27
500	20"	360	440	64	127	41.15	635	20-1 1/8"-7				27
600	24"	420	500	71	154	50.65	749.5	20-1 1/4"-7	210	165	22	36

6	BUSHING	PTFE	3
5	O-RING	NBR	2
4	STEM	SS431	2
3	DISC	CF8M	1
2	SEAT	EPDM/NBR/VITON/PTFE	1
1	BODY	CF8M	1
NO.	PARTS NAME	MATERIAL	QTY

TEST PRESSURE	HYDROSTATIC AIR	SHELL		SEAL	
		15"-12"	14"-24"	15"-12"	14"-24"
		300 psi	225 psi	220 psi	165 psi
STAND-ARD	DESIGN CODE		API 609		
	INSPECTION & TEST		API 598		
	END STANDARD		ANSI 150LB		
	FACE TO FACE		API 609		

TITLE : WAFER BUTTERFLY VALVE

APPROVED			REV
CHECKED		HEBEI HONGBANG VALVE CO.,LTD	
DRAWN			
DESIGNED		SCALE	UNIT mm
SIGNATURE			