

### On-time Delivery

- 1,100,000 units  
(annual production capacity)

### Continuous Innovation

- Over 20 professional engineers
- Over 3% continuous investment per year

### Reliable Quality

- 7 Inspection positions
- National standard testing lab

### Professional Logistics

- Export to over 49 countries
- 500 containers delivery per year



### Greaidea Gas and Electrical Appliances Co.,Ltd

Address: No.1 Weihua Road, Gaoli New High Tech Industry Zone,  
Ronggui Town, Shunde District, Foshan, Guangdong, China  
Web: [www.greaidea.com](http://www.greaidea.com) / [www.cehob.com](http://www.cehob.com)  
Email: [info@greaidea.com](mailto:info@greaidea.com)

# Europe | America

## Product Catalog

**25+ Years Experience**  
Your First Choice

**COOKING  
APPLIANCE**



## About Us

Over 20 Years Of OEM & ODM Experience In Gas Hob, Range Hood and Gas Water Heater

- OEM & ODM gas hob, gas water heater and range hood since 2000.
- Established in 2000, the past over 20 years witnessed great chances of our product, R&D, quality level, and service as well. From now on, Greaidea has its own two production bases with over 500 employees, covering 100,000m<sup>2</sup>. In order to meet the growing marketing needs, we have equipped with 10 assembly lines for gas hob and range hood, 5 assembly lines for gas water heater.

**20<sup>+</sup>Y**  
Since 2000

**2**  
Production bases

**500+**  
Staffs

**100,000m<sup>2</sup>**  
Area

**15**  
Assembly lines

## Kitchen Appliance Division

Greaidea has over 20 year's experience in manufacturing high quality gas hob and range hood. Our factory locates in Ronggui town, Shunde city. In our R&D department, 16 engineers are employed to guarantee our R&D advantage and continuous improvement. Every year, 3% of revenue will be invested to R&D . With excellent manufacturing team & QC team, we can realize the annual output 800,000pcs gas hob and 300,000pcs range hood product with optimal quality.

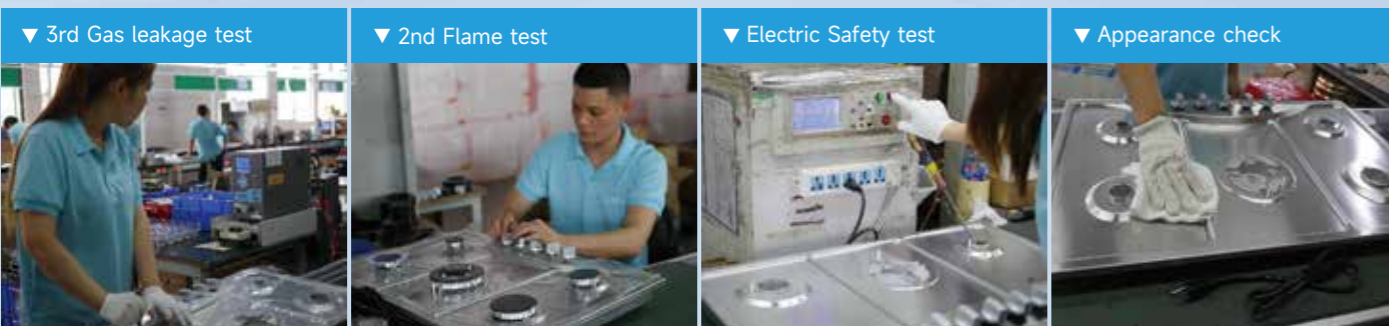
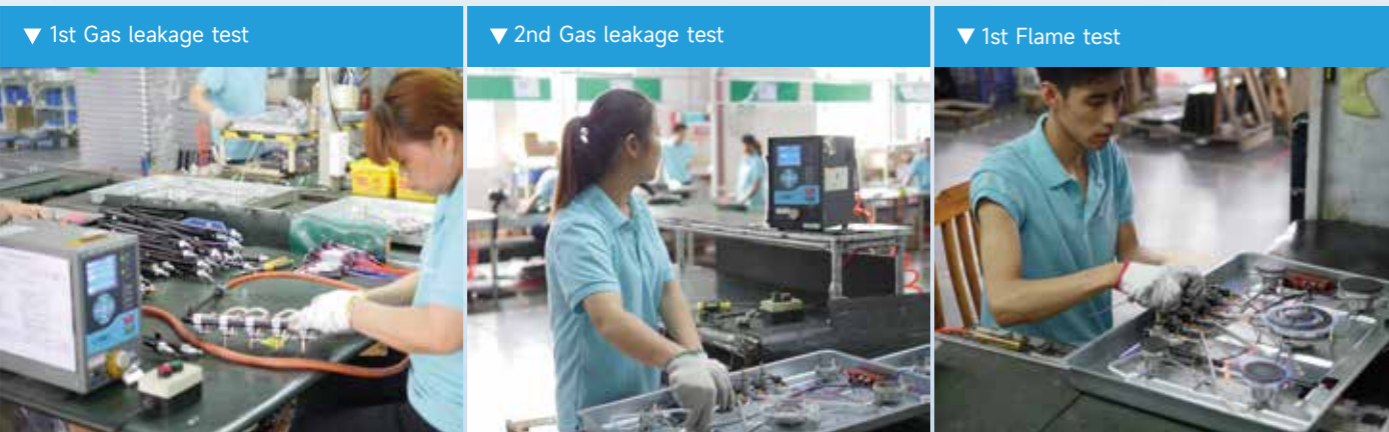
Gas hob : 800,000 pcs / year  
Range hood : 300,000 pcs / year



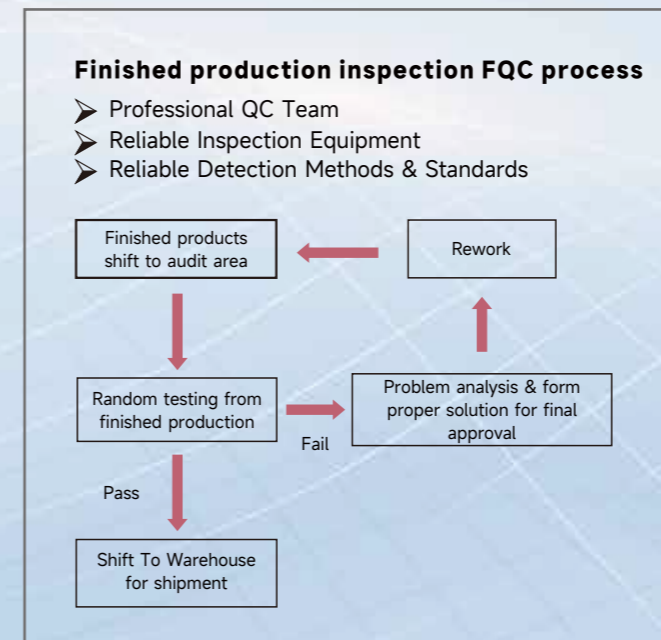
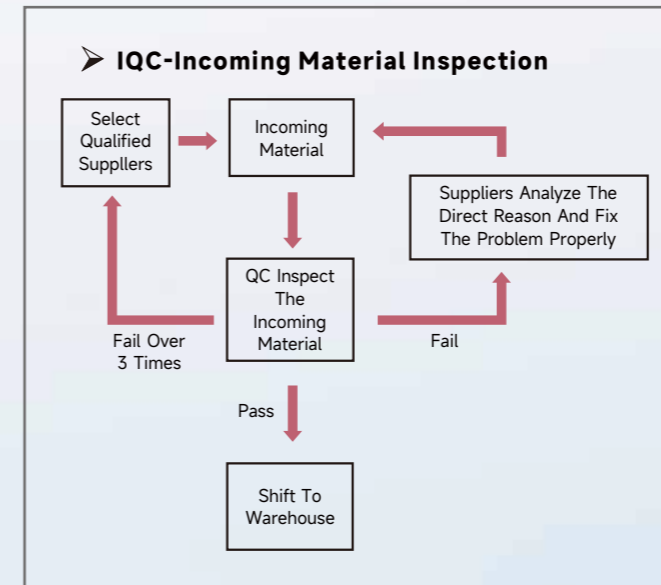
# Final Assembly Line



▶ Online Key Position : 7 Times Inspection



# Strict QC System





**CERTIFICATION**





**MGBS-312T**



<b>Panel</b>	Stainless steel
<b>Panel Support</b>	Cast iron
<b>Knob Material</b>	Metal
<b>Heat Power(kW)</b>	1.0 / 3.3
<b>Optional</b>	Safety device (FFD)
<b>Product Size (mm)</b>	310 (W) x 510 (D) x 95 (H)
<b>Cut-out Size (mm)</b>	265 (W) x 475 (D)
<b>Packing Size (mm)</b>	550 (W) x 360 (D) x 153 (H)
<b>Loading (20'/40'/40HQ)</b>	990/1810/2040



**MGBS-604T**



<b>Panel</b>	Stainless steel
<b>Panel Support</b>	Cast iron
<b>Knob Material</b>	Metal
<b>Heat Power(kW)</b>	1.0 / 1.75 / 1.75 / 3.3
<b>Optional</b>	Safety device (FFD)
<b>Product Size (mm)</b>	585 (W) x 505 (D) x 95 (H)
<b>Cut-out Size (mm)</b>	560 (W) x 480 (D)
<b>Packing Size (mm)</b>	640 (W) x 540(D) x 150 (H)
<b>Loading (20'/40'/40HQ)</b>	540/1120/1310



**MGBS-765T**



<b>Panel</b>	Stainless steel
<b>Panel Support</b>	Cast iron
<b>Knob Material</b>	Metal
<b>Heat Power(kW)</b>	1.0 / 1.75 / 1.75 / 2.7 / 3.3
<b>Optional</b>	Safety device (FFD)
<b>Product Size (mm)</b>	760 (W) x 500 (D) x 95 (H)
<b>Cut-out Size (mm)</b>	730(W) x 480 (D)
<b>Packing Size (mm)</b>	820 (W) x 540 (D) x 150 (H)
<b>Loading (20'/40'/40HQ)</b>	420 / 870 / 1020



**MGBG-312T**



<b>Panel</b>	Tempered glass
<b>Panel Support</b>	Cast iron
<b>Knob Material</b>	Metal
<b>Heat Power(kW)</b>	1.0 / 3.3
<b>Optional</b>	Safety device (FFD)
<b>Product Size (mm)</b>	310 (W) x 515 (D) x 105 (H)
<b>Cut-out Size (mm)</b>	265 (W) x 475 (D)
<b>Packing Size (mm)</b>	550 (W) x 360 (D) x 153 (H)
<b>Loading (20'/40'/40HQ)</b>	990/1810/2040



**MGBG-604T**



<b>Panel</b>	Tempered glass
<b>Panel Support</b>	Cast iron
<b>Knob Material</b>	Metal
<b>Heat Power(kW)</b>	1.0 / 1.75 / 1.75 / 3.3
<b>Optional</b>	Safety device (FFD)
<b>Product Size (mm)</b>	600 (W) x 510 (D) x 110 (H)
<b>Cut-out Size (mm)</b>	560 (W) x 480 (D)
<b>Packing Size (mm)</b>	640 (W) x 540(D) x 150 (H)
<b>Loading (20'/40'/40HQ)</b>	540/1120/1310



**MGBG-775T**



<b>Panel</b>	Tempered glass
<b>Panel Support</b>	Cast iron
<b>Knob Material</b>	Metal
<b>Heat Power(kW)</b>	1.0 / 1.75 / 1.75 / 2.7 / 3.3
<b>Optional</b>	Safety device (FFD)
<b>Product Size (mm)</b>	770 (W) x 510 (D) x 97 (H)
<b>Cut-out Size (mm)</b>	560 (W) x 480 (D)
<b>Packing Size (mm)</b>	820 (W) x 540 (D) x 150 (H)
<b>Loading (20'/40'/40HQ)</b>	420 / 870 / 1020

**S/S PANEL SERIES**



**MGBS-312B4**



<b>Panel</b>	Stainless steel
<b>Panel Support</b>	Cast iron
<b>Knob Material</b>	Metal
<b>Heat Power(kW)</b>	1.0 / 3.3
<b>Optional</b>	Safety device (FFD)
<b>Product Size (mm)</b>	310 (W) x 510 (D) x 95 (H)
<b>Cut-out Size (mm)</b>	265 (W) x 475 (D)
<b>Packing Size (mm)</b>	550 (W) x 360 (D) x 153 (H)
<b>Loading (20'/40'/40HQ)</b>	990/1810/2040



**MGBS-604B4**



<b>Panel</b>	Stainless steel
<b>Panel Support</b>	Cast iron
<b>Knob Material</b>	Metal
<b>Heat Power(kW)</b>	1.0 / 1.75 / 1.75 / 3.3
<b>Optional</b>	Safety device (FFD)
<b>Product Size (mm)</b>	585 (W) x 505 (D) x 95 (H)
<b>Cut-out Size (mm)</b>	560 (W) x 480 (D)
<b>Packing Size (mm)</b>	640 (W) x 540(D) x 150 (H)
<b>Loading (20'/40'/40HQ)</b>	540/1120/1310



**MGBS-765B4**



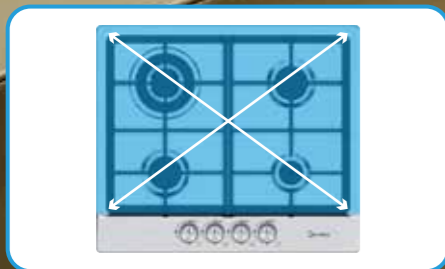
<b>Panel</b>	Stainless steel
<b>Panel Support</b>	Cast iron
<b>Knob Material</b>	Metal
<b>Heat Power(kW)</b>	1.0 / 1.75 / 1.75 / 2.7 / 3.3
<b>Optional</b>	Safety device (FFD)
<b>Product Size (mm)</b>	760 (W) x 500 (D) x 95 (H)
<b>Cut-out Size (mm)</b>	730(W) x 480 (D)
<b>Packing Size (mm)</b>	820 (W) x 540 (D) x 150 (H)
<b>Loading (20'/40'/40HQ)</b>	420 / 870 / 1020



**MGBS-866B4**



<b>Panel</b>	Stainless steel
<b>Panel Support</b>	Cast iron
<b>Knob Material</b>	Metal
<b>Heat Power(kW)</b>	1.0 / 1.75 / 1.75 / 1.75 / 2.7 / 3.3
<b>Optional</b>	Safety device (FFD)
<b>Product Size (mm)</b>	860 (W) x 500 (D) x 95 (H)
<b>Cut-out Size (mm)</b>	830(W) x 470 (D)
<b>Packing Size (mm)</b>	920 (W) x 540 (D) x 150 (H)
<b>Loading (20'/40'/40HQ)</b>	290 / 600 / 710



**Surface Max**



**Prevent Overheating**



**High Power Burner**



**MGBS-603B4N**



<b>Panel</b>	Nano-Painting
<b>Panel Support</b>	Cast iron
<b>Knob Material</b>	Metal
<b>Heat Power(kW)</b>	1.0 / 2.7 / 3.3
<b>Optional</b>	Safety device (FFD)
<b>Product Size (mm)</b>	585 (W) x 505 (D) x 95 (H)
<b>Cut-out Size (mm)</b>	560 (W) x 480 (D)
<b>Packing Size (mm)</b>	640 (W) x 540(D) x 150 (H)
<b>Loading (20'/40'/40HQ)</b>	540/1120/1310



**MGBS-604B4N**



<b>Panel</b>	Nano-Painting
<b>Panel Support</b>	Cast iron
<b>Knob Material</b>	Metal
<b>Heat Power(kW)</b>	1.0 / 1.75 / 1.75 / 3.3
<b>Optional</b>	Safety device (FFD)
<b>Product Size (mm)</b>	585 (W) x 505 (D) x 95 (H)
<b>Cut-out Size (mm)</b>	560 (W) x 480 (D)
<b>Packing Size (mm)</b>	640 (W) x 540(D) x 150 (H)
<b>Loading (20'/40'/40HQ)</b>	540/1120/1310



**MGBS-312A**



<b>Panel</b>	Stainless steel
<b>Panel Support</b>	Cast iron
<b>Knob Material</b>	Metal
<b>Heat Power(kW)</b>	1.0 / 3.3
<b>Optional</b>	Safety device (FFD)
<b>Product Size (mm)</b>	310 (W) x 510 (D) x 95 (H)
<b>Cut-out Size (mm)</b>	265 (W) x 475 (D)
<b>Packing Size (mm)</b>	550 (W) x 360 (D) x 153 (H)
<b>Loading (20'/40'/40HQ)</b>	990/1810/2040



**MGBS-603A**



<b>Panel</b>	Stainless steel
<b>Panel Support</b>	Cast iron
<b>Knob Material</b>	Metal
<b>Heat Power(kW)</b>	1.0 / 2.7 / 3.3
<b>Optional</b>	Safety device (FFD)
<b>Product Size (mm)</b>	585 (W) x 505 (D) x 95 (H)
<b>Cut-out Size (mm)</b>	560 (W) x 480 (D)
<b>Packing Size (mm)</b>	640 (W) x 540(D) x 150 (H)
<b>Loading (20'/40'/40HQ)</b>	540/1120/1310



**MGBS-765B4N**



<b>Panel</b>	Nano-Painting
<b>Panel Support</b>	Cast iron
<b>Knob Material</b>	Metal
<b>Heat Power(kW)</b>	1.0 / 1.75 / 1.75 / 2.7 / 3.3
<b>Optional</b>	Safety device (FFD)
<b>Product Size (mm)</b>	760(W) x 500 (D) x 95 (H)
<b>Cut-out Size (mm)</b>	730(W) x 480 (D)
<b>Packing Size (mm)</b>	820(W) x 540 (D) x 150 (H)
<b>Loading (20'/40'/40HQ)</b>	420 / 870 / 1020



**MGBS-865B4N**



<b>Panel</b>	Nano-Painting
<b>Panel Support</b>	Cast iron
<b>Knob Material</b>	Metal
<b>Heat Power(kW)</b>	1.0 / 1.75 / 1.75 / 2.7 / 3.3
<b>Optional</b>	Safety device (FFD)
<b>Product Size (mm)</b>	860 (W) x 500 (D) x 95 (H)
<b>Cut-out Size (mm)</b>	830(W) x 470 (D)
<b>Packing Size (mm)</b>	920 (W) x 540 (D) x 150 (H)
<b>Loading (20'/40'/40HQ)</b>	290 / 600 / 710



**MGBS-604D**



<b>Panel</b>	Stainless steel
<b>Panel Support</b>	Cast iron
<b>Knob Material</b>	Metal
<b>Heat Power(kW)</b>	1.0 / 1.75 / 1.75 / 3.3
<b>Optional</b>	Safety device (FFD)
<b>Product Size (mm)</b>	585 (W) x 505 (D) x 95 (H)
<b>Cut-out Size (mm)</b>	560 (W) x 480 (D)
<b>Packing Size (mm)</b>	640 (W) x 540(D) x 150 (H)
<b>Loading (20'/40'/40HQ)</b>	540/1120/1310



**MGBS-604F**



<b>Panel</b>	Stainless steel
<b>Panel Support</b>	Cast iron
<b>Knob Material</b>	Metal
<b>Heat Power(kW)</b>	1.0 / 1.75 / 1.75 / 3.3
<b>Optional</b>	Safety device (FFD)
<b>Product Size (mm)</b>	585 (W) x 505 (D) x 95 (H)
<b>Cut-out Size (mm)</b>	560 (W) x 480 (D)
<b>Packing Size (mm)</b>	640 (W) x 540(D) x 150 (H)
<b>Loading (20'/40'/40HQ)</b>	540/1120/1310



**MGBS-604A**



<b>Panel</b>	Stainless steel
<b>Panel Support</b>	Cast iron
<b>Knob Material</b>	Metal
<b>Heat Power(kW)</b>	1.0 / 1.75 / 1.75 / 3.3
<b>Optional</b>	Safety device (FFD)
<b>Product Size (mm)</b>	585 (W) x 505 (D) x 95 (H)
<b>Cut-out Size (mm)</b>	560 (W) x 480 (D)
<b>Packing Size (mm)</b>	640 (W) x 540(D) x 150 (H)
<b>Loading (20'/40'/40HQ)</b>	540/1120/1310



**MGBS-765A**



<b>Panel</b>	Stainless steel
<b>Panel Support</b>	Cast iron
<b>Knob Material</b>	Metal
<b>Heat Power(kW)</b>	1.0 / 1.75 / 1.75 / 2.7 / 3.3
<b>Optional</b>	Safety device (FFD)
<b>Product Size (mm)</b>	760 (W) x 500 (D) x 95 (H)
<b>Cut-out Size (mm)</b>	730(W) x 480 (D)
<b>Packing Size (mm)</b>	820 (W) x 540 (D) x 150 (H)
<b>Loading (20'/40'/40HQ)</b>	420 / 870 / 1020



**MGBS-865A**



<b>Panel</b>	Stainless steel
<b>Panel Support</b>	Cast iron
<b>Knob Material</b>	Metal
<b>Heat Power(kW)</b>	1.0 / 1.75 / 1.75 / 2.7 / 3.3
<b>Optional</b>	Safety device (FFD)
<b>Product Size (mm)</b>	860 (W) x 500 (D) x 95 (H)
<b>Cut-out Size (mm)</b>	830(W) x 470 (D)
<b>Packing Size (mm)</b>	920 (W) x 540 (D) x 150 (H)
<b>Loading (20'/40'/40HQ)</b>	290 / 600 / 710



**MGBS-866A**



<b>Panel</b>	Stainless steel
<b>Panel Support</b>	Cast iron
<b>Knob Material</b>	Metal
<b>Heat Power(kW)</b>	1.0 / 1.75 / 1.75 / 1.75 / 2.7 / 3.3
<b>Optional</b>	Safety device (FFD)
<b>Product Size (mm)</b>	860 (W) x 500 (D) x 95 (H)
<b>Cut-out Size (mm)</b>	830(W) x 470 (D)
<b>Packing Size (mm)</b>	920 (W) x 540 (D) x 150 (H)
<b>Loading (20'/40'/40HQ)</b>	290 / 600 / 710



**MGBS-604S**



<b>Panel</b>	Stainless steel
<b>Panel Support</b>	Cast iron
<b>Knob Material</b>	Metal
<b>Heat Power(kW)</b>	1.0 / 1.75 / 1.75 / 3.3
<b>Optional</b>	Safety device (FFD)
<b>Product Size (mm)</b>	585 (W) x 505 (D) x 95 (H)
<b>Cut-out Size (mm)</b>	560 (W) x 480 (D)
<b>Packing Size (mm)</b>	640 (W) x 540(D) x 150 (H)
<b>Loading (20'/40'/40HQ)</b>	540/1120/1310



**MGBS-765S**



<b>Panel</b>	Stainless steel
<b>Panel Support</b>	Cast iron
<b>Knob Material</b>	Metal
<b>Heat Power(kW)</b>	1.0 / 1.75 / 1.75 / 2.7 / 3.3
<b>Optional</b>	Safety device (FFD)
<b>Product Size (mm)</b>	760 (W) x 500 (D) x 95 (H)
<b>Cut-out Size (mm)</b>	730(W) x 480 (D)
<b>Packing Size (mm)</b>	820 (W) x 540 (D) x 150 (H)
<b>Loading (20'/40'/40HQ)</b>	420 / 870 / 1020



**MGBS-765S1**



<b>Panel</b>	Stainless steel
<b>Panel Support</b>	Cast iron
<b>Knob Material</b>	Metal
<b>Heat Power(kW)</b>	1.0 / 1.75 / 1.75 / 2.7 / 3.3
<b>Optional</b>	Safety device (FFD)
<b>Product Size (mm)</b>	760 (W) x 500 (D) x 95 (H)
<b>Cut-out Size (mm)</b>	730(W) x 480 (D)
<b>Packing Size (mm)</b>	820 (W) x 540 (D) x 150 (H)
<b>Loading (20'/40'/40HQ)</b>	420 / 870 / 1020



**MGBS-865S**



<b>Panel</b>	Stainless steel
<b>Panel Support</b>	Cast iron
<b>Knob Material</b>	Metal
<b>Heat Power(kW)</b>	1.0 / 1.75 / 1.75 / 2.7 / 3.3
<b>Optional</b>	Safety device (FFD)
<b>Product Size (mm)</b>	860 (W) x 500 (D) x 95 (H)
<b>Cut-out Size (mm)</b>	830(W) x 470 (D)
<b>Packing Size (mm)</b>	920 (W) x 540 (D) x 150 (H)
<b>Loading (20'/40'/40HQ)</b>	290 / 600 / 710





**MGBS-604HS**



<b>Panel</b>	Stainless steel
<b>Panel Support</b>	Cast iron
<b>Knob Material</b>	Metal
<b>Heat Power(kW)</b>	1.0 / 1.75 / 1.75 / 3.3
<b>Optional</b>	Safety device (FFD)
<b>Product Size (mm)</b>	585 (W) x 505 (D) x 95 (H)
<b>Cut-out Size (mm)</b>	560 (W) x 480 (D)
<b>Packing Size (mm)</b>	665 (W) x 560(D) x 135 (H)
<b>Loading (20'/40'/40HQ)</b>	540/1120/1310

**MGBS-905HS**



<b>Panel</b>	Stainless steel
<b>Panel Support</b>	Cast iron
<b>Knob Material</b>	Metal
<b>Heat Power(kW)</b>	1.0 / 1.75 / 1.75 / 2.5 / 3.3
<b>Optional</b>	Safety device (FFD)
<b>Product Size (mm)</b>	900 (W) x 510 (D) x 95 (H)
<b>Cut-out Size (mm)</b>	830(W) x 470 (D)
<b>Packing Size (mm)</b>	965 (W) x 556 (D) x 156 (H)
<b>Loading (20'/40'/40HQ)</b>	290 / 600 / 710



**MGBS-604HS1**



<b>Panel</b>	Stainless steel
<b>Panel Support</b>	Cast iron
<b>Knob Material</b>	Metal
<b>Heat Power(kW)</b>	1.0 / 1.75 / 1.75 / 3.3
<b>Optional</b>	Safety device (FFD)
<b>Product Size (mm)</b>	585 (W) x 505 (D) x 95 (H)
<b>Cut-out Size (mm)</b>	560 (W) x 480 (D)
<b>Packing Size (mm)</b>	665 (W) x 560(D) x 135 (H)
<b>Loading (20'/40'/40HQ)</b>	540/1120/1310

**MGBS-765HS1**



<b>Panel</b>	Stainless steel
<b>Panel Support</b>	Cast iron
<b>Knob Material</b>	Metal
<b>Heat Power(kW)</b>	1.0 / 1.75 / 1.75 / 2.5 / 3.3
<b>Optional</b>	Safety device (FFD)
<b>Product Size (mm)</b>	760 (W) x 510 (D) x 95 (H)
<b>Cut-out Size (mm)</b>	730(W) x 480 (D)
<b>Packing Size (mm)</b>	810 (W) x 556 (D) x 156 (H)
<b>Loading (20'/40'/40HQ)</b>	420 / 870 / 1020



**MGBS-604G**



<b>Panel</b>	Stainless steel
<b>Panel Support</b>	Cast iron
<b>Knob Material</b>	Metal
<b>Heat Power(kW)</b>	1.0 / 1.75 / 1.75 / 3.3
<b>Optional</b>	Safety device (FFD)
<b>Product Size (mm)</b>	585 (W) x 505 (D) x 95 (H)
<b>Cut-out Size (mm)</b>	560 (W) x 480 (D)
<b>Packing Size (mm)</b>	640 (W) x 540(D) x 150 (H)
<b>Loading (20'/40'/40HQ)</b>	540/1120/1310

**MGBS-705G**



<b>Panel</b>	Stainless steel
<b>Panel Support</b>	Cast iron
<b>Knob Material</b>	Metal
<b>Heat Power(kW)</b>	1.0 / 1.75 / 1.75 / 2.7 / 3.3
<b>Optional</b>	Safety device (FFD)
<b>Product Size (mm)</b>	700 (W) x 505 (D) x 95 (H)
<b>Cut-out Size (mm)</b>	560 (W) x 480 (D)
<b>Packing Size (mm)</b>	740 (W) x 540(D) x 150 (H)
<b>Loading (20'/40'/40HQ)</b>	320 / 630 / 750



**MGBS-604A1**



<b>Panel</b>	Stainless steel
<b>Panel Support</b>	Cast iron
<b>Knob Material</b>	Metal
<b>Heat Power(kW)</b>	1.0 / 1.75 / 1.75 / 3.3
<b>Optional</b>	Safety device (FFD)
<b>Product Size (mm)</b>	585 (W) x 505 (D) x 95 (H)
<b>Cut-out Size (mm)</b>	560 (W) x 480 (D)
<b>Packing Size (mm)</b>	640 (W) x 540(D) x 150 (H)
<b>Loading (20'/40'/40HQ)</b>	540/1120/1310

**MGBS-866A1**



<b>Panel</b>	Stainless steel
<b>Panel Support</b>	Cast iron
<b>Knob Material</b>	Metal
<b>Heat Power(kW)</b>	1.0 / 1.75 / 1.75 / 2.7 / 3.3
<b>Optional</b>	Safety device (FFD)
<b>Product Size (mm)</b>	860 (W) x 500 (D) x 95 (H)
<b>Cut-out Size (mm)</b>	830(W) x 470 (D)
<b>Packing Size (mm)</b>	920 (W) x 540 (D) x 150 (H)
<b>Loading (20'/40'/40HQ)</b>	290 / 600 / 710



**GLASS SERIES**



**MGBG-312**



<b>Panel</b>	Tempered glass
<b>Panel Support</b>	Cast iron
<b>Knob Material</b>	Metal
<b>Heat Power(kW)</b>	1.0 / 3.3
<b>Optional</b>	Safety device (FFD)
<b>Product Size (mm)</b>	310 (W) x 515 (D) x 105 (H)
<b>Cut-out Size (mm)</b>	265 (W) x 475 (D)
<b>Packing Size (mm)</b>	550 (W) x 360 (D) x 153 (H)
<b>Loading (20'/40'/40HQ)</b>	990/1810/2040



**MGBG-603**



<b>Panel</b>	Tempered glass
<b>Panel Support</b>	Cast iron
<b>Knob Material</b>	Metal
<b>Heat Power(kW)</b>	1.0 / 2.7 / 3.3
<b>Optional</b>	Safety device (FFD)
<b>Product Size (mm)</b>	585 (W) x 505 (D) x 95 (H)
<b>Cut-out Size (mm)</b>	560 (W) x 480 (D)
<b>Packing Size (mm)</b>	640 (W) x 540(D) x 150 (H)
<b>Loading (20'/40'/40HQ)</b>	540/1120/1310



**MGBG-604C**



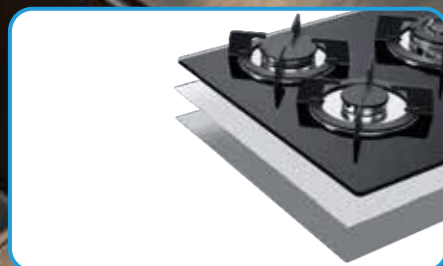
<b>Panel</b>	Tempered glass
<b>Panel Support</b>	Cast iron
<b>Knob Material</b>	Metal
<b>Heat Power(kW)</b>	1.0 / 1.75 / 1.75 / 3.3
<b>Optional</b>	Safety device (FFD)
<b>Product Size (mm)</b>	600 (W) x 510 (D) x 110 (H)
<b>Cut-out Size (mm)</b>	560 (W) x 480 (D)
<b>Packing Size (mm)</b>	640 (W) x 540(D) x 150 (H)
<b>Loading (20'/40'/40HQ)</b>	540/1120/1310



**MGBG-604**



<b>Panel</b>	Tempered glass
<b>Panel Support</b>	Cast iron
<b>Knob Material</b>	Metal
<b>Heat Power(kW)</b>	1.0 / 1.75 / 1.75 / 3.3
<b>Optional</b>	Safety device (FFD)
<b>Product Size (mm)</b>	600 (W) x 510 (D) x 110 (H)
<b>Cut-out Size (mm)</b>	560 (W) x 480 (D)
<b>Packing Size (mm)</b>	640 (W) x 540(D) x 150 (H)
<b>Loading (20'/40'/40HQ)</b>	540/1120/1310



Premium Quality Glass



High Power Burner



Metal Knob



**MGBG-775**



<b>Panel</b>	Tempered glass
<b>Panel Support</b>	Cast iron
<b>Knob Material</b>	Metal
<b>Heat Power(kW)</b>	1.0 / 1.75 / 1.75 / 2.7 / 3.3
<b>Optional</b>	Safety device (FFD)
<b>Product Size (mm)</b>	770 (W) x 510 (D) x 97 (H)
<b>Cut-out Size (mm)</b>	560 (W) x 480 (D)
<b>Packing Size (mm)</b>	820 (W) x 540 (D) x 150 (H)
<b>Loading (20'/40'/40HQ)</b>	420 / 870 / 1020



**MGBG-875**



<b>Panel</b>	Tempered glass
<b>Panel Support</b>	Cast iron
<b>Knob Material</b>	Metal
<b>Heat Power(kW)</b>	1.0 / 1.75 / 1.75 / 2.7 / 3.3
<b>Optional</b>	Safety device (FFD)
<b>Product Size (mm)</b>	870 (W) x 510 (D) x 105 (H)
<b>Cut-out Size (mm)</b>	830 (W) x 470 (D)
<b>Packing Size (mm)</b>	920 (W) x 540 (D) x 150 (H)
<b>Loading (20'/40'/40HQ)</b>	290 / 600 / 710



**MGBG-905**



<b>Panel</b>	Tempered glass
<b>Panel Support</b>	Cast iron
<b>Knob Material</b>	Metal
<b>Heat Power(kW)</b>	1.0 / 1.75 / 1.75 / 2.7 / 3.3
<b>Optional</b>	Safety device (FFD)
<b>Product Size (mm)</b>	900 (W) x 510 (D) x 105 (H)
<b>Cut-out Size (mm)</b>	830 (W) x 480 (D)
<b>Packing Size (mm)</b>	910 (W) x 555 (D) x 170 (H)
<b>Loading (20'/40'/40HQ)</b>	290 / 600 / 710



**MGBG-876**



<b>Panel</b>	Tempered glass
<b>Panel Support</b>	Cast iron
<b>Knob Material</b>	Metal
<b>Heat Power(kW)</b>	1.0 / 1.75 / 1.75 / 1.75 / 2.7 / 3.3
<b>Optional</b>	Safety device (FFD)
<b>Product Size (mm)</b>	870 (W) x 510 (D) x 105 (H)
<b>Cut-out Size (mm)</b>	830 (W) x 470 (D)
<b>Packing Size (mm)</b>	920 (W) x 540 (D) x 150 (H)
<b>Loading (20'/40'/40HQ)</b>	290 / 600 / 710



**MGBG-312H**



<b>Panel</b>	Tempered glass
<b>Panel Support</b>	Cast iron
<b>Knob Material</b>	Metal
<b>Heat Power(kW)</b>	1.0 / 3.3
<b>Optional</b>	Safety device (FFD)
<b>Product Size (mm)</b>	310 (W) x 515 (D) x 105 (H)
<b>Cut-out Size (mm)</b>	265 (W) x 475 (D)
<b>Packing Size (mm)</b>	550 (W) x 360 (D) x 153 (H)
<b>Loading (20'/40'/40HQ)</b>	990/1810/2040



**MGBG-604HS**



<b>Panel</b>	Tempered glass
<b>Panel Support</b>	Cast iron
<b>Knob Material</b>	Metal
<b>Heat Power(kW)</b>	1.0 / 1.75 / 1.75 / 3.3
<b>Optional</b>	Safety device (FFD)
<b>Product Size (mm)</b>	600 (W) x 510 (D) x 110 (H)
<b>Cut-out Size (mm)</b>	560 (W) x 480 (D)
<b>Packing Size (mm)</b>	640 (W) x 540(D) x 150 (H)
<b>Loading (20'/40'/40HQ)</b>	540/1120/1310



**MGBG-775H**



<b>Panel</b>	Tempered glass
<b>Panel Support</b>	Cast iron
<b>Knob Material</b>	Metal
<b>Heat Power(kW)</b>	1.0 / 1.75 / 1.75 / 2.7 / 3.3
<b>Optional</b>	Safety device (FFD)
<b>Product Size (mm)</b>	770 (W) x 510 (D) x 97 (H)
<b>Cut-out Size (mm)</b>	560 (W) x 480 (D)
<b>Packing Size (mm)</b>	820 (W) x 540 (D) x 150 (H)
<b>Loading (20'/40'/40HQ)</b>	420 / 870 / 1020



**MGBG-875H**



<b>Panel</b>	Tempered glass
<b>Panel Support</b>	Cast iron
<b>Knob Material</b>	Metal
<b>Heat Power(kW)</b>	1.0 / 1.75 / 1.75 / 2.7 / 3.3
<b>Optional</b>	Safety device (FFD)
<b>Product Size (mm)</b>	870 (W) x 510 (D) x 105 (H)
<b>Cut-out Size (mm)</b>	830 (W) x 470 (D)
<b>Packing Size (mm)</b>	920 (W) x 540 (D) x 150 (H)
<b>Loading (20'/40'/40HQ)</b>	290 / 600 / 710



Black Water Tray



Metal Knob



High Power Burner



**GLASS SERIES**



**MGBG-312M**



<b>Panel</b>	Tempered glass
<b>Panel Support</b>	Cast iron
<b>Knob Material</b>	Metal
<b>Heat Power(kW)</b>	1.0 / 3.3
<b>Optional</b>	Safety device (FFD)
<b>Product Size (mm)</b>	310 (W) x 515 (D) x 105 (H)
<b>Cut-out Size (mm)</b>	265 (W) x 475 (D)
<b>Packing Size (mm)</b>	550 (W) x 360 (D) x 153 (H)
<b>Loading (20'/40'/40HQ)</b>	990/1810/2040



**MGBG-603M**



<b>Panel</b>	Tempered glass
<b>Panel Support</b>	Cast iron
<b>Knob Material</b>	Metal
<b>Heat Power(kW)</b>	1.0 / 2.7 / 3.3
<b>Optional</b>	Safety device (FFD)
<b>Product Size (mm)</b>	600 (W) x 510 (D) x 110 (H)
<b>Cut-out Size (mm)</b>	560 (W) x 480 (D)
<b>Packing Size (mm)</b>	640 (W) x 540(D) x 150 (H)
<b>Loading (20'/40'/40HQ)</b>	540/1120/1310



**MGBG-604M**



<b>Panel</b>	Tempered glass
<b>Panel Support</b>	Cast iron
<b>Knob Material</b>	Metal
<b>Heat Power(kW)</b>	1.0 / 1.75 / 1.75 / 3.3
<b>Optional</b>	Safety device (FFD)
<b>Product Size (mm)</b>	600 (W) x 510 (D) x 105 (H)
<b>Cut-out Size (mm)</b>	560 (W) x 480 (D)
<b>Packing Size (mm)</b>	646 (W) x 560 (D) x 155 (H)
<b>Loading (20'/40'/40HQ)</b>	540 / 1080 / 1200



**MGBG-705M**



<b>Panel</b>	Tempered glass
<b>Panel Support</b>	Cast iron
<b>Knob Material</b>	Metal
<b>Heat Power(kW)</b>	1.0 / 1.75 / 1.75 / 2.7 / 3.3
<b>Optional</b>	Safety device (FFD)
<b>Product Size (mm)</b>	700 (W) x 510 (D) x 105 (H)
<b>Cut-out Size (mm)</b>	560 (W) x 480 (D)
<b>Packing Size (mm)</b>	745 (W) x 570 (D) x 180 (H)
<b>Loading (20'/40'/40HQ)</b>	320 / 630 / 750



**MGBG-905M**



<b>Panel</b>	Tempered glass
<b>Panel Support</b>	Cast iron
<b>Knob Material</b>	Metal
<b>Heat Power(kW)</b>	1.0 / 1.75 / 1.75 / 2.7 / 3.3
<b>Optional</b>	Safety device (FFD)
<b>Product Size (mm)</b>	900 (W) x 510 (D) x 105 (H)
<b>Cut-out Size (mm)</b>	830 (W) x 470 (D)
<b>Packing Size (mm)</b>	960 (W) x 568 (D) x 178 (H)
<b>Loading (20'/40'/40HQ)</b>	290 / 600 / 710



**MGBG-906M**



<b>Panel</b>	Tempered glass
<b>Panel Support</b>	Cast iron
<b>Knob Material</b>	Metal
<b>Heat Power(kW)</b>	1.0 / 1.75 / 1.75 / 1.75 / 2.7 / 3.3
<b>Optional</b>	Safety device (FFD)
<b>Product Size (mm)</b>	900 (W) x 510 (D) x 105 (H)
<b>Cut-out Size (mm)</b>	830 (W) x 470 (D)
<b>Packing Size (mm)</b>	960 (W) x 568 (D) x 178 (H)
<b>Loading (20'/40'/40HQ)</b>	290 / 600 / 710



**MGBG-775G**



<b>Panel</b>	Tempered glass
<b>Panel Support</b>	Cast iron
<b>Knob Material</b>	Metal
<b>Heat Power(kW)</b>	1.0 / 1.75 / 1.75 / 2.7 / 3.3
<b>Optional</b>	Safety device (FFD)
<b>Product Size (mm)</b>	770 (W) x 510 (D) x 105 (H)
<b>Cut-out Size (mm)</b>	730 (W) x 480 (D)
<b>Packing Size (mm)</b>	816 (W) x 556 (D) x 155 (H)
<b>Loading (20'/40'/40HQ)</b>	420 / 870 / 1020



**MGBG-875G**



<b>Panel</b>	Tempered glass
<b>Panel Support</b>	Cast iron
<b>Knob Material</b>	Metal
<b>Heat Power(kW)</b>	1.0 / 1.75 / 1.75 / 2.7 / 3.3
<b>Optional</b>	Safety device (FFD)
<b>Product Size (mm)</b>	870 (W) x 510 (D) x 105 (H)
<b>Cut-out Size (mm)</b>	830 (W) x 470 (D)
<b>Packing Size (mm)</b>	946 (W) x 551 (D) x 155 (H)
<b>Loading (20'/40'/40HQ)</b>	290 / 600 / 710



**MGBG-312M1**



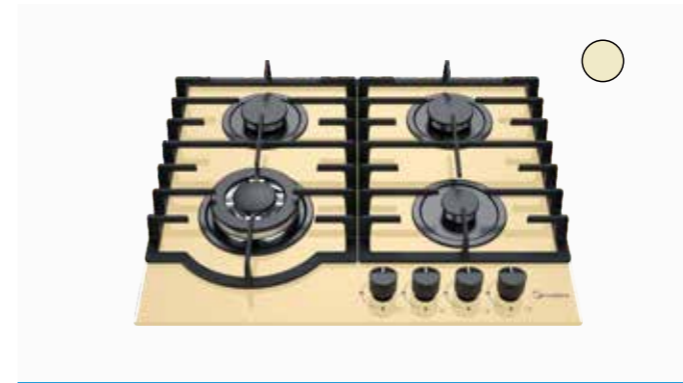
<b>Panel</b>	Tempered glass white
<b>Panel Support</b>	Cast iron
<b>Knob Material</b>	Metal
<b>Heat Power(kW)</b>	1.0 / 3.3
<b>Optional</b>	Safety device (FFD)
<b>Product Size (mm)</b>	310 (W) x 515 (D) x 105 (H)
<b>Cut-out Size (mm)</b>	265 (W) x 475 (D)
<b>Packing Size (mm)</b>	550 (W) x 360 (D) x 153 (H)
<b>Loading (20'/40'/40HQ)</b>	990/1810/2040



**MGBG-604M1**



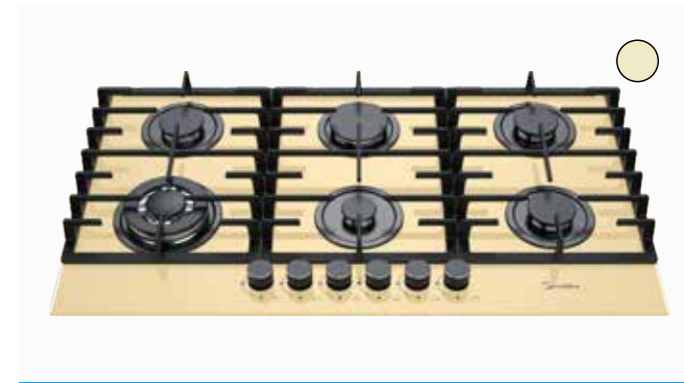
<b>Panel</b>	Tempered glass white
<b>Panel Support</b>	Cast iron
<b>Knob Material</b>	Metal
<b>Heat Power(kW)</b>	1.0 / 1.75 / 1.75 / 3.3
<b>Optional</b>	Safety device (FFD)
<b>Product Size (mm)</b>	600 (W) x 510 (D) x 105 (H)
<b>Cut-out Size (mm)</b>	560 (W) x 480 (D)
<b>Packing Size (mm)</b>	646 (W) x 560 (D) x 155 (H)
<b>Loading (20'/40'/40HQ)</b>	540 / 1080 / 1200



**MGBG-604M2**



<b>Panel</b>	Tempered glass ivory
<b>Panel Support</b>	Cast iron
<b>Knob Material</b>	Metal
<b>Heat Power(kW)</b>	1.0 / 1.75 / 1.75 / 3.3
<b>Optional</b>	Safety device (FFD)
<b>Product Size (mm)</b>	600 (W) x 510 (D) x 105 (H)
<b>Cut-out Size (mm)</b>	560 (W) x 480 (D)
<b>Packing Size (mm)</b>	646 (W) x 560 (D) x 155 (H)
<b>Loading (20'/40'/40HQ)</b>	540 / 1080 / 1200



**MGBG-906M1**



<b>Panel</b>	Tempered glass ivory
<b>Panel Support</b>	Cast iron
<b>Knob Material</b>	Metal
<b>Heat Power(kW)</b>	1.0 / 1.75 / 1.75 / 1.75 / 2.7 / 3.3
<b>Optional</b>	Safety device (FFD)
<b>Product Size (mm)</b>	900 (W) x 510 (D) x 105 (H)
<b>Cut-out Size (mm)</b>	830 (W) x 470 (D)
<b>Packing Size (mm)</b>	960 (W) x 568 (D) x 178 (H)
<b>Loading (20'/40'/40HQ)</b>	290 / 600 / 710



**MGBG-604S**



<b>Panel</b>	Tempered glass
<b>Panel Support</b>	Cast iron
<b>Knob Material</b>	Metal
<b>Heat Power(kW)</b>	1.0 / 1.75 / 1.75 / 3.3
<b>Optional</b>	Safety device (FFD)
<b>Product Size (mm)</b>	600 (W) x 510 (D) x 105 (H)
<b>Cut-out Size (mm)</b>	560 (W) x 480 (D)
<b>Packing Size (mm)</b>	646 (W) x 560 (D) x 155 (H)
<b>Loading (20'/40'/40HQ)</b>	540 / 1080 / 1200



**MGBG-775S**



<b>Panel</b>	Tempered glass
<b>Panel Support</b>	Cast iron
<b>Knob Material</b>	Metal
<b>Heat Power(kW)</b>	1.0 / 1.75 / 1.75 / 2.7 / 3.3
<b>Optional</b>	Safety device (FFD)
<b>Product Size (mm)</b>	770 (W) x 510 (D) x 105 (H)
<b>Cut-out Size (mm)</b>	730 (W) x 480 (D)
<b>Packing Size (mm)</b>	816 (W) x 556 (D) x 155 (H)
<b>Loading (20'/40'/40HQ)</b>	420 / 870 / 1020



**MGBG-604D**



<b>Panel</b>	Tempered glass
<b>Panel Support</b>	Cast iron
<b>Knob Material</b>	Metal
<b>Heat Power(kW)</b>	1.0 / 1.75 / 1.75 / 3.3
<b>Optional</b>	Safety device (FFD)
<b>Product Size (mm)</b>	600 (W) x 510 (D) x 105 (H)
<b>Cut-out Size (mm)</b>	560 (W) x 480 (D)
<b>Packing Size (mm)</b>	646 (W) x 560 (D) x 155 (H)
<b>Loading (20'/40'/40HQ)</b>	540 / 1080 / 1200



**MGBG-906D**



<b>Panel</b>	Tempered glass
<b>Panel Support</b>	Cast iron
<b>Knob Material</b>	Metal
<b>Heat Power(kW)</b>	1.0 / 1.75 / 1.75 / 1.75 / 3.3 / 3.3
<b>Optional</b>	Safety device (FFD)
<b>Product Size (mm)</b>	900 (W) x 510 (D) x 105 (H)
<b>Cut-out Size (mm)</b>	830 (W) x 470 (D)
<b>Packing Size (mm)</b>	960 (W) x 568 (D) x 178 (H)
<b>Loading (20'/40'/40HQ)</b>	290 / 600 / 710



**LED KNOB**



**MGBS-604L**



<b>Panel</b>	Stainless steel
<b>Panel Support</b>	Cast iron
<b>Knob Material</b>	Metal
<b>Heat Power(kW)</b>	1.0 / 1.75 / 1.75 / 3.3
<b>Optional</b>	Safety device (FFD)
<b>Product Size (mm)</b>	585 (W) x 505 (D) x 95 (H)
<b>Cut-out Size (mm)</b>	560 (W) x 480 (D)
<b>Packing Size (mm)</b>	640 (W) x 540(D) x 150 (H)
<b>Loading (20'/40'/40HQ)</b>	540/1120/1310



**MGBG-604L**



<b>Panel</b>	Tempered glass
<b>Panel Support</b>	Cast iron
<b>Knob Material</b>	Metal
<b>Heat Power(kW)</b>	1.0 / 1.75 / 1.75 / 3.3
<b>Optional</b>	Safety device (FFD)
<b>Product Size (mm)</b>	600 (W) x 510 (D) x 105 (H)
<b>Cut-out Size (mm)</b>	560 (W) x 480 (D)
<b>Packing Size (mm)</b>	646 (W) x 560 (D) x 155 (H)
<b>Loading (20'/40'/40HQ)</b>	540 / 1080 / 1200



**Fast Cook**



Double Ring Brass Burner



 **5.2kW**



**MGBG-604DE6**



<b>Panel</b>	Tempered glass
<b>Panel Support</b>	Enamel Wire
<b>Knob Material</b>	Bakelite
<b>Heat Power(kW)</b>	1.0 / 1.75 / 2.7 / 2.7
<b>Optional</b>	Safety device (FFD)
<b>Product Size (mm)</b>	600 (W) x 510 (D) x 105 (H)
<b>Cut-out Size (mm)</b>	560 (W) x 480 (D)
<b>Packing Size (mm)</b>	646 (W) x 560 (D) x 155 (H)
<b>Loading (20'/40'/40HQ)</b>	540 / 1080 / 1200

**MGBG-604D8**

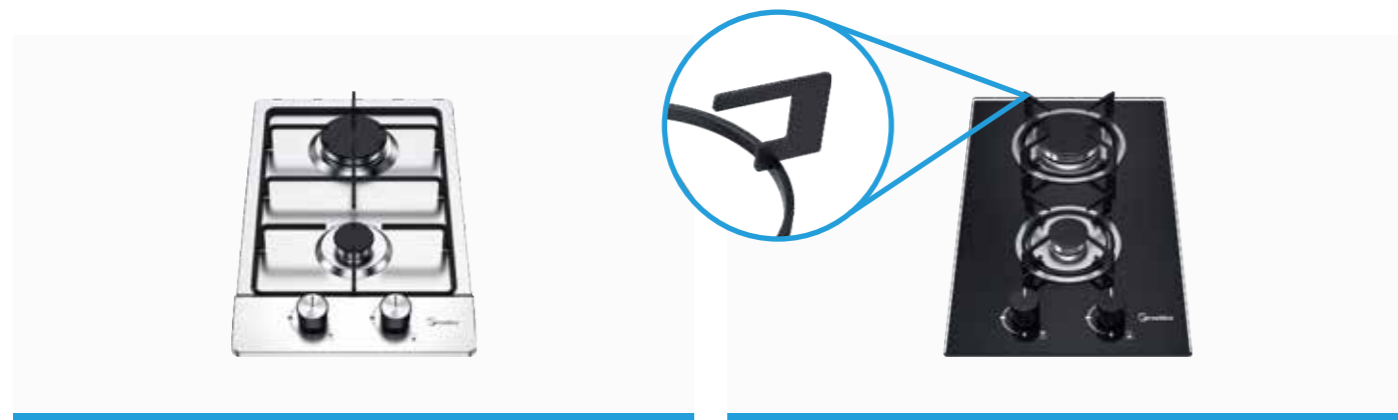


<b>Panel</b>	Frosted glass
<b>Panel Support</b>	Enamel Wire
<b>Knob Material</b>	Metal
<b>Heat Power(kW)</b>	1.0 / 1.75 / 2.7 / 3.3
<b>Optional</b>	Safety device (FFD)
<b>Product Size (mm)</b>	600 (W) x 510 (D) x 105 (H)
<b>Cut-out Size (mm)</b>	560 (W) x 480 (D)
<b>Packing Size (mm)</b>	646 (W) x 560 (D) x 155 (H)
<b>Loading (20'/40'/40HQ)</b>	540 / 1080 / 1200

**Precise Flame Control**



**9 Range Valve**



**MGBS-312E**



<b>Panel</b>	Stainless steel
<b>Panel Support</b>	Enamel Wire
<b>Knob Material</b>	Bakelite
<b>Heat Power(kW)</b>	1.0 / 2.7
<b>Optional</b>	Safety device (FFD)
<b>Product Size (mm)</b>	310 (W) x 510 (D) x 95 (H)
<b>Cut-out Size (mm)</b>	265 (W) x 475 (D)
<b>Packing Size (mm)</b>	550 (W) x 360 (D) x 153 (H)
<b>Loading (20'/40'/40HQ)</b>	990/1810/2040

**MGBG-312AE**



<b>Panel</b>	Tempered glass
<b>Panel Support</b>	Enamel Wire
<b>Knob Material</b>	Bakelite
<b>Heat Power(kW)</b>	1.0 / 2.7
<b>Optional</b>	Safety device (FFD)
<b>Product Size (mm)</b>	310 (W) x 515 (D) x 105 (H)
<b>Cut-out Size (mm)</b>	265 (W) x 475 (D)
<b>Packing Size (mm)</b>	550 (W) x 350(D) x 153 (H)
<b>Loading (20'/40'/40HQ)</b>	990 / 1810 / 2040



**MGBS-604E**



<b>Panel</b>	Stainless steel
<b>Panel Support</b>	Enamel Wire
<b>Knob Material</b>	Bakelite
<b>Heat Power(kW)</b>	1.0 / 1.75 / 1.75 / 2.7
<b>Optional</b>	Safety device (FFD)
<b>Product Size (mm)</b>	585 (W) x 505 (D) x 95 (H)
<b>Cut-out Size (mm)</b>	560 (W) x 480 (D)
<b>Packing Size (mm)</b>	640 (W) x 540(D) x 150 (H)
<b>Loading (20'/40'/40HQ)</b>	540/1120/1310



**MGBG-604AE**



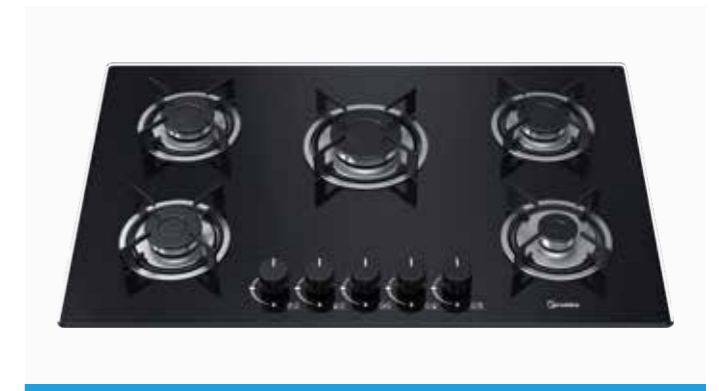
<b>Panel</b>	Tempered glass
<b>Panel Support</b>	Enamel Wire
<b>Knob Material</b>	Bakelite
<b>Heat Power(kW)</b>	1.0 / 1.75 / 1.75 / 2.7
<b>Optional</b>	Safety device (FFD)
<b>Product Size (mm)</b>	600 (W) x 510 (D) x 110 (H)
<b>Cut-out Size (mm)</b>	560 (W) x 480 (D)
<b>Packing Size (mm)</b>	640 (W) x 540(D) x 150 (H)
<b>Loading (20'/40'/40HQ)</b>	540/1120/1310



**MGBS-765E**



<b>Panel</b>	Stainless steel
<b>Panel Support</b>	Enamel Wire
<b>Knob Material</b>	Bakelite
<b>Heat Power(kW)</b>	1.0 / 1.75 / 1.75 / 1.75 / 2.7
<b>Optional</b>	Safety device (FFD)
<b>Product Size (mm)</b>	760 (W) x 500 (D) x 95 (H)
<b>Cut-out Size (mm)</b>	730(W) x 480 (D)
<b>Packing Size (mm)</b>	820 (W) x 540 (D) x 150 (H)
<b>Loading (20'/40'/40HQ)</b>	420 / 870 / 1020



**MGBG-775AE**



<b>Panel</b>	Tempered glass
<b>Panel Support</b>	Enamel Wire
<b>Knob Material</b>	Bakelite
<b>Heat Power(kW)</b>	1.0 / 1.75 / 1.75 / 1.75 / 2.7
<b>Optional</b>	Safety device (FFD)
<b>Product Size (mm)</b>	770 (W) x 510 (D) x 105 (H)
<b>Cut-out Size (mm)</b>	730 (W) x 480 (D)
<b>Packing Size (mm)</b>	816 (W) x 556 (D) x 155 (H)
<b>Loading (20'/40'/40HQ)</b>	420 / 870 / 1020





**MGBS-312AE**



<b>Panel</b>	Stainless steel
<b>Panel Support</b>	Enamel Wire
<b>Knob Material</b>	Bakelite
<b>Heat Power(kW)</b>	1.0 / 3.3
<b>Optional</b>	Safety device (FFD)
<b>Product Size (mm)</b>	310 (W) x 510 (D) x 95 (H)
<b>Cut-out Size (mm)</b>	265 (W) x 475 (D)
<b>Packing Size (mm)</b>	550 (W) x 360 (D) x 153 (H)
<b>Loading (20'/40'/40HQ)</b>	990/1810/2040

**MGBG-312E**



<b>Panel</b>	Tempered glass
<b>Panel Support</b>	Enamel Wire
<b>Knob Material</b>	Bakelite
<b>Heat Power(kW)</b>	1.0 / 3.3
<b>Optional</b>	Safety device (FFD)
<b>Product Size (mm)</b>	310 (W) x 515 (D) x 105 (H)
<b>Cut-out Size (mm)</b>	265 (W) x 475 (D)
<b>Packing Size (mm)</b>	550 (W) x 350(D) x 153 (H)
<b>Loading (20'/40'/40HQ)</b>	990 / 1810 / 2040



**MGBS-604AE**



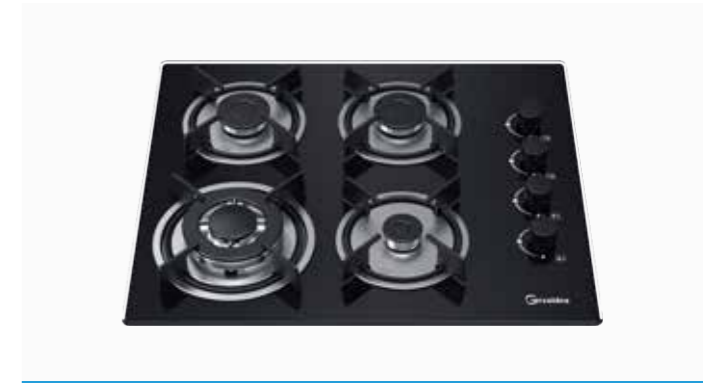
<b>Panel</b>	Stainless steel
<b>Panel Support</b>	Enamel Wire
<b>Knob Material</b>	Bakelite
<b>Heat Power(kW)</b>	1.0 / 1.75 / 1.75 / 3.3
<b>Optional</b>	Safety device (FFD)
<b>Product Size (mm)</b>	585 (W) x 505 (D) x 95 (H)
<b>Cut-out Size (mm)</b>	560 (W) x 480 (D)
<b>Packing Size (mm)</b>	640 (W) x 540(D) x 150 (H)
<b>Loading (20'/40'/40HQ)</b>	540/1120/1310



**MGBS-765AE**



<b>Panel</b>	Stainless steel
<b>Panel Support</b>	Enamel Wire
<b>Knob Material</b>	Bakelite
<b>Heat Power(kW)</b>	1.0 / 1.75 / 1.75 / 1.75 / 3.3
<b>Optional</b>	Safety device (FFD)
<b>Product Size (mm)</b>	760 (W) x 500 (D) x 95 (H)
<b>Cut-out Size (mm)</b>	730(W) x 480 (D)
<b>Packing Size (mm)</b>	820 (W) x 540 (D) x 150 (H)
<b>Loading (20'/40'/40HQ)</b>	420 / 870 / 1020



**MGBG-604E**



<b>Panel</b>	Tempered glass
<b>Panel Support</b>	Enamel Wire
<b>Knob Material</b>	Bakelite
<b>Heat Power(kW)</b>	1.0 / 1.75 / 1.75 / 3.3
<b>Optional</b>	Safety device (FFD)
<b>Product Size (mm)</b>	600 (W) x 510 (D) x 110 (H)
<b>Cut-out Size (mm)</b>	560 (W) x 480 (D)
<b>Packing Size (mm)</b>	640 (W) x 540(D) x 150 (H)
<b>Loading (20'/40'/40HQ)</b>	540/1120/1310



**MGBG-775E**



<b>Panel</b>	Tempered glass
<b>Panel Support</b>	Enamel Wire
<b>Knob Material</b>	Bakelite
<b>Heat Power(kW)</b>	1.0 / 1.75 / 1.75 / 1.75 / 3.3
<b>Optional</b>	Safety device (FFD)
<b>Product Size (mm)</b>	770 (W) x 510 (D) x 105 (H)
<b>Cut-out Size (mm)</b>	730 (W) x 480 (D)
<b>Packing Size (mm)</b>	816 (W) x 556 (D) x 155 (H)
<b>Loading (20'/40'/40HQ)</b>	420 / 870 / 1020



**MGBG-31DE**



**Panel** Tempered glass  
**Panel Support** Wire  
**Knob Material** Bakelite  
**Heat Power(kW)** 1.0 / 2.7  
**Optional** Safety device (FFD)  
**Product Size (mm)** 310 (W) x 515 (D) x 105 (H)  
**Cut-out Size (mm)** 265 (W) x 475 (D)  
**Packing Size (mm)** 550 (W) x 350(D) x 153 (H)  
**Loading (20'/40'/40HQ)** 990 / 1810 / 2040

**MGBG-31DE**



**Panel** Tempered glass  
**Panel Support** Wire  
**Knob Material** Bakelite  
**Heat Power(kW)** 1.0 / 1.75 / 1.75 / 2.7  
**Optional** Safety device (FFD)  
**Product Size (mm)** 600 (W) x 510 (D) x 110 (H)  
**Cut-out Size (mm)** 560 (W) x 480 (D)  
**Packing Size (mm)** 640 (W) x 540(D) x 150 (H)  
**Loading (20'/40'/40HQ)** 540/1120/1310

**GAS HOB ACCESSORIES**

**Built-in Multi-Burner Gas Hob Key Parts Option**

<b>Shape</b> Round Square Rectangular	<b>Technique</b> Cast Iron Wire Enamel	<b>Coating</b> Matte Glossy
<b>Shape</b> Round Square	<b>Coating</b> S/S Black S/S Teflon Nano-Painting	

**Burner**

#1	#2	#3	#4	<b>Chinese Sabaf Burner (Max. -3.3kw)</b>
#1	#2	#3	#4	<b>Full Brass Chinese Sabaf Burner(Max. -3.5kw)</b>

#1	#2	#3	#4	<b>Italy Sabaf Burner (Max. -5.0Kw)</b>
#1	#2	#3	#4	<b>Semi-Brass Burner (Max. -4.5kw)</b>

**Built-in Multi-Burner Gas Hob Panel Option**

<b>Stainless Steel</b> S/S Black S/S	<b>Nano-Painting</b> Anti-fingerprint	<b>Enamel</b> Black White Ivory
<b>Color</b> Black White Ivory	<b>Edge</b> No Bevel Single Bevel Multi-Bevel	<b>Surface</b> Glossy Matte

**Built-in Multi-Burner Gas Hob Knob Option**

K1	K2	K3	K4	K5	K6
K7	K8	K9	K10	K11	K12



**GCHS-60/75/90B**

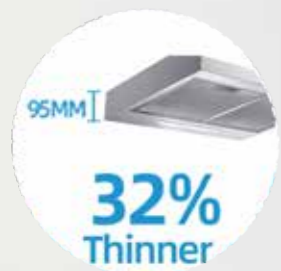
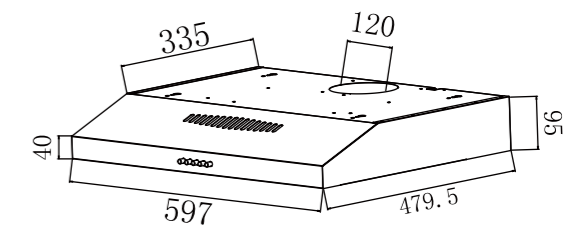
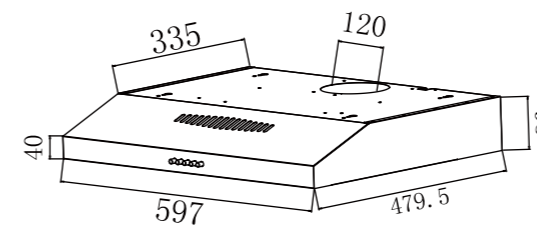


<b>Width</b>	600/750/900mm
<b>Material</b>	Painted body or S/S body
<b>Airflow</b>	180m <sup>3</sup> /h
<b>Motor Type</b>	1x100W
<b>Control Type</b>	Piano switch control
<b>Level of Speed</b>	3 speeds
<b>Lighting</b>	1x2W LED Lamp
<b>Filter Type</b>	3 Layer aluminium grease filter Activated carbon filter
<b>Air Outlet</b>	120mm
<b>Packing size</b>	633x522x132mm (600mm) 783x522x132mm (750mm) 933x522x132mm (900mm)
<b>Loading QTY(20/40/40HQ)</b>	640 / 1320 / 1550 (600mm) 510 / 1070 / 1260 (750mm) 430 / 900 / 1050 (900mm)

**GCHS-60/75/90ST**



<b>Width</b>	600/750/900mm
<b>Material</b>	Painted body or S/S body
<b>Airflow</b>	180m <sup>3</sup> /h
<b>Motor Type</b>	1x100W
<b>Control Type</b>	Touch control
<b>Level of Speed</b>	3 speeds
<b>Lighting</b>	1x2W LED Lamp
<b>Filter Type</b>	3 Layer aluminium grease filter Activated carbon filter
<b>Air Outlet</b>	120mm
<b>Packing size</b>	633x522x132mm (600mm) 783x522x132mm (750mm) 933x522x132mm (900mm)
<b>Loading QTY(20/40/40HQ)</b>	640 / 1320 / 1550 (600mm) 510 / 1070 / 1260 (750mm) 430 / 900 / 1050 (900mm)



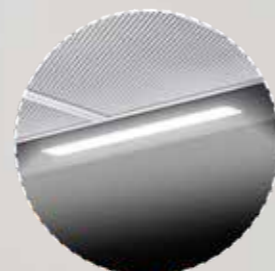
**Larger Loading  
Quantity 1500+/40HQ**



**180CBM/H  
Air Volume**



**3 Exhaust  
Fan Speeds**



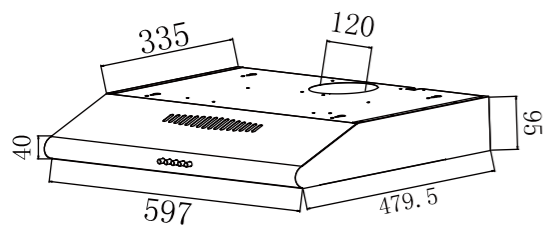
**LED Strip**



**GCHA-60/75/90S**



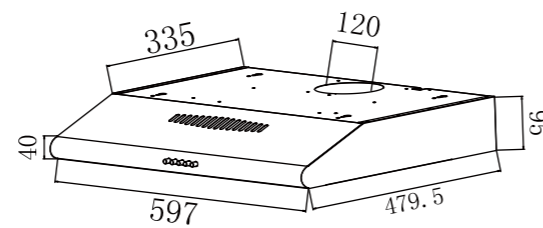
<b>Width</b>	600/750/900mm
<b>Material</b>	Painted body or S/S body
<b>Airflow</b>	180m <sup>3</sup> /h
<b>Motor Type</b>	1x100W
<b>Control Type</b>	Piano switch control
<b>Level of Speed</b>	3 speeds
<b>Lighting</b>	1x2W LED Lamp
<b>Filter Type</b>	3 Layer aluminium grease fliter Activated carbon fliter
<b>Air Outlet</b>	120mm
<b>Packing size</b>	633x522x132mm (600mm) 783x522x132mm (750mm) 933x522x132mm (900mm)
<b>Loading QTY(20/40/40HQ)</b>	640 / 1320 / 1550 (600mm) 510 / 1070 / 1260 (750mm) 430 / 900 / 1050 (900mm)



**GCHA-60/75/90B**



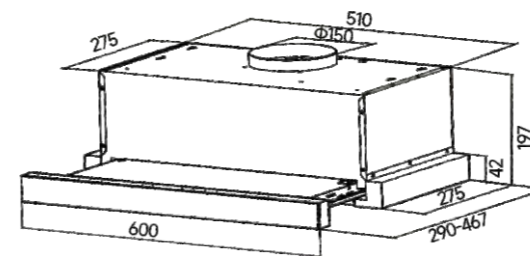
<b>Width</b>	600/750/900mm
<b>Material</b>	Painted body or S/S body
<b>Airflow</b>	180m <sup>3</sup> /h
<b>Motor Type</b>	1x100W
<b>Control Type</b>	Piano switch control
<b>Level of Speed</b>	3 speeds
<b>Lighting</b>	1x2W LED Lamp
<b>Filter Type</b>	3 Layer aluminium grease fliter Activated carbon fliter
<b>Air Outlet</b>	120mm
<b>Packing size</b>	633x522x132mm (600mm) 783x522x132mm (750mm) 933x522x132mm (900mm)
<b>Loading QTY(20/40/40HQ)</b>	640 / 1320 / 1550 (600mm) 510 / 1070 / 1260 (750mm) 430 / 900 / 1050 (900mm)



**GCHD-60/75/90B**



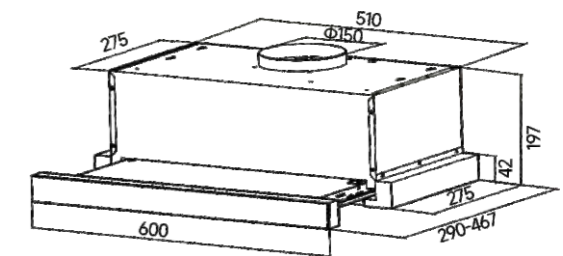
<b>Width</b>	600/750/900mm
<b>Material</b>	Painted body or S/S body
<b>Airflow</b>	220m <sup>3</sup> /h
<b>Motor Type</b>	1x100W
<b>Control Type</b>	Mechanical Rocker Control
<b>Level of Speed</b>	2 speeds
<b>Lighting</b>	2x1.5W LED Lamp
<b>Filter Type</b>	3 Layer aluminium grease fliter Activated carbon fliter
<b>Air Outlet</b>	150mm
<b>Packing size</b>	650x260x358mm (600mm) 800x260x358mm (750mm) 950x260x358mm (900mm)
<b>Loading QTY(20/40/40HQ)</b>	530 / 1100 / 1270 (600mm) 460 / 960 / 1100 (750mm) 365 / 750 / 870 (900mm)



**GCHD-60/75/90ST**



<b>Width</b>	600/750/900mm
<b>Material</b>	Painted body or S/S body
<b>Airflow</b>	220m <sup>3</sup> /h
<b>Motor Type</b>	1x100W
<b>Control Type</b>	Touch control
<b>Level of Speed</b>	2 speeds
<b>Lighting</b>	2x1.5W LED Lamp
<b>Filter Type</b>	3 Layer aluminium grease fliter Activated carbon fliter
<b>Air Outlet</b>	150mm
<b>Packing size</b>	650x260x358mm (600mm) 800x260x358mm (750mm) 950x260x358mm (900mm)
<b>Loading QTY(20/40/40HQ)</b>	530 / 1100 / 1270 (600mm) 460 / 960 / 1100 (750mm) 365 / 750 / 870 (900mm)





**GCHT-60/75/90B**



<b>Width</b>	600/750/900mm
<b>Material</b>	Painted body or S/S body
<b>Airflow</b>	600m <sup>3</sup> /h
<b>Motor Type</b>	1x220W
<b>Control Type</b>	Piano switch control
<b>Level of Speed</b>	3 speeds
<b>Lighting</b>	2x2W LED Lamp
<b>Filter Type</b>	3 Layer aluminium grease fliter Activated carbon fliter
<b>Air Outlet</b>	150mm
<b>Packing size</b>	660x490x420mm (600mm) 810x490x420mm (750mm) 960x490x420mm (900mm)
<b>Loading QTY(20/40/40HQ)</b>	230 / 480 / 560 (600mm) 250 / 390 / 460 (750mm) 210 / 330 / 390 (900mm)

**GCHT-60/75/90ST**



<b>Width</b>	600/750/900mm
<b>Material</b>	Painted body or S/S body
<b>Airflow</b>	600m <sup>3</sup> /h
<b>Motor Type</b>	1 x 220W
<b>Control Type</b>	Touch control
<b>Level of Speed</b>	2 speeds
<b>Lighting</b>	2x2W LED Lamp
<b>Filter Type</b>	3 Layer aluminium grease fliter Activated carbon fliter
<b>Air Outlet</b>	150mm
<b>Packing size</b>	660x490x420mm (600mm) 810x490x420mm (750mm) 960x490x420mm (900mm)
<b>Loading QTY(20/40/40HQ)</b>	230 / 480 / 560 (600mm) 250 / 390 / 460 (750mm) 210 / 330 / 390 (900mm)

**GCHT-60/75/90SB**

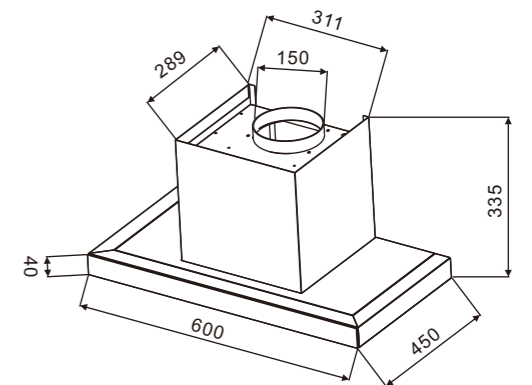
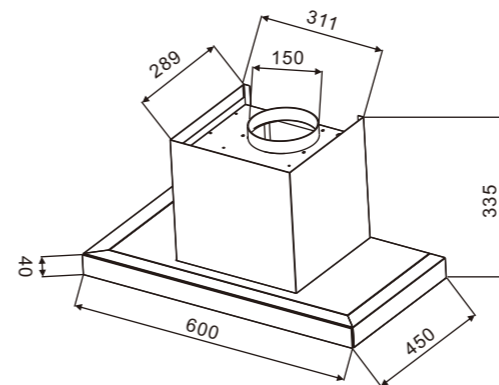
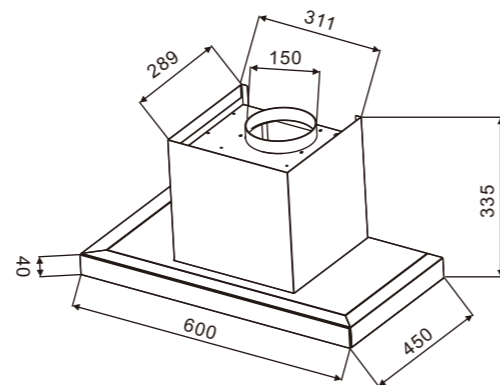
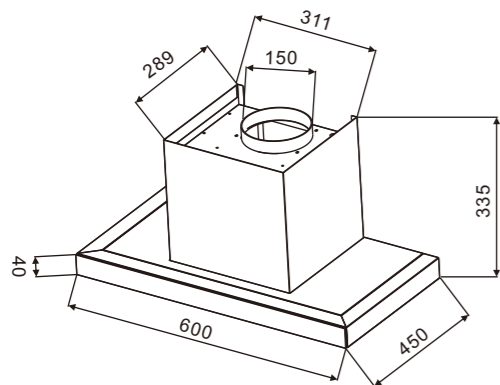


<b>Width</b>	600/750/900mm
<b>Material</b>	Painted body or S/S body
<b>Airflow</b>	600m <sup>3</sup> /h
<b>Motor Type</b>	1x220W
<b>Control Type</b>	Piano switch control
<b>Level of Speed</b>	3 speeds
<b>Lighting</b>	1x2W LED Lamp
<b>Filter Type</b>	Baffle filter Activated carbon fliter
<b>Air Outlet</b>	150mm
<b>Packing size</b>	660x430x420mm (600mm) 810x430x420mm (750mm) 960x430x420mm (900mm)
<b>Loading QTY(20/40/40HQ)</b>	230 / 480 / 560 (600mm) 250 / 390 / 460 (750mm) 210 / 330 / 390 (900mm)

**GCHT-60/75/90BBT**



<b>Width</b>	600/750/900mm
<b>Material</b>	Painted body or S/S body
<b>Airflow</b>	600m <sup>3</sup> /h
<b>Motor Type</b>	1 x 220W
<b>Control Type</b>	Touch control
<b>Level of Speed</b>	2 speeds
<b>Lighting</b>	1x2W LED Lamp
<b>Filter Type</b>	Baffle filter Activated carbon fliter
<b>Air Outlet</b>	150mm
<b>Packing size</b>	660x430x420mm (600mm) 810x430x420mm (750mm) 960x430x420mm (900mm)
<b>Loading QTY(20/40/40HQ)</b>	230 / 480 / 560 (600mm) 250 / 390 / 460 (750mm) 210 / 330 / 390 (900mm)

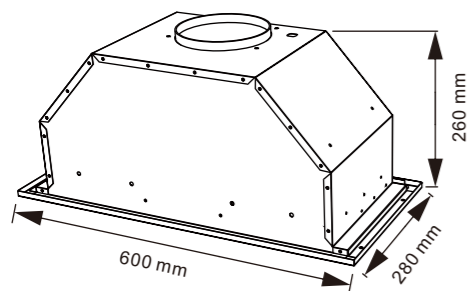




**MCHS-6005BE**



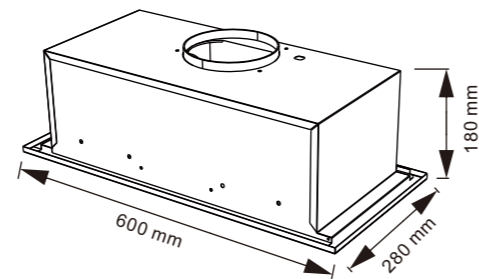
<b>Width</b>	600mm
<b>Material</b>	Stainless steel body+Black tempered glass
<b>Airflow</b>	600m <sup>3</sup> /h
<b>Motor Type</b>	1x220W
<b>Control Type</b>	Touch control & wave control
<b>Level of Speed</b>	3 speeds
<b>Lighting</b>	2x3W LED Lamp
<b>Filter Type</b>	3 Layer aluminium grease filter Activated carbon filter
<b>Air Outlet</b>	150mm
<b>Packing size</b>	650x365x357mm (600mm)
<b>Loading QTY(20/40/40HQ)</b>	390 / 800 / 940 (600mm)



**MCHS-605T**



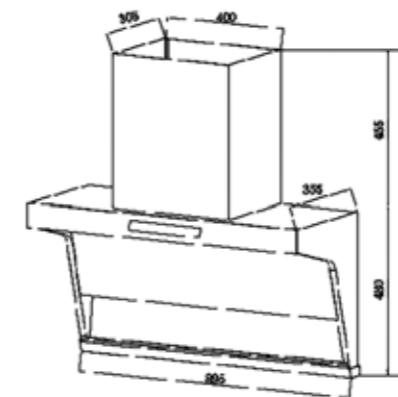
<b>Width</b>	600mm
<b>Material</b>	Painted body or S/S body
<b>Airflow</b>	260m <sup>3</sup> /h
<b>Motor Type</b>	1x120W
<b>Control Type</b>	Piano switch control
<b>Level of Speed</b>	3 speeds
<b>Lighting</b>	2x3W LED Lamp
<b>Filter Type</b>	3 Layer aluminium grease filter Activated carbon filter
<b>Air Outlet</b>	160mm
<b>Packing size</b>	650x345x345mm (600mm)
<b>Loading QTY(20/40/40HQ)</b>	360 / 740 / 870 (600mm)



**CXW-310-900JT3**



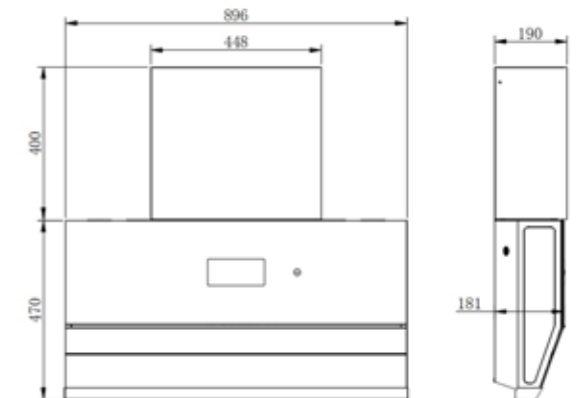
<b>Width</b>	900mm
<b>Material</b>	S/S body, Black tempered glass
<b>Airflow</b>	1080m <sup>3</sup> /h
<b>Motor Type</b>	1x313W
<b>Level of Speed</b>	3 speeds
<b>Lighting</b>	2x1.5W LED
<b>Air Outlet</b>	180mm
<b>Packing size</b>	970x427x985mm (900mm)
<b>Loading QTY(20/40/40HQ)</b>	60 / 140 / 160 (900mm)



**CXW-280-B02**



<b>Width</b>	900mm
<b>Material</b>	Black painted body, Black tempered glass
<b>Airflow</b>	1200m <sup>3</sup> /h
<b>Motor Type</b>	1x280W
<b>Level of Speed</b>	6 speeds
<b>Lighting</b>	1x3W LED
<b>Air Outlet</b>	180mm
<b>Packing size</b>	960x255x600mm (900mm)
<b>Loading QTY(20/40/40HQ)</b>	190 / 390 / 460 (900mm)



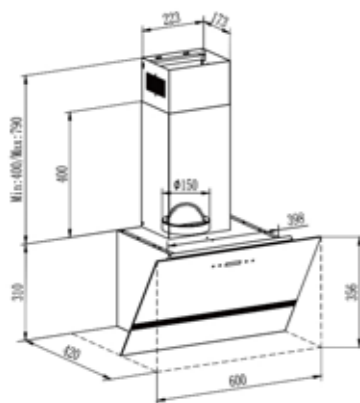
## RANGE HOOD ACCESSORIES



**MCHW-H602**



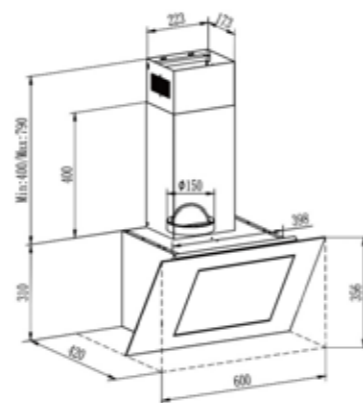
<b>Width</b>	600/mm
<b>Material</b>	Black painted body, Black tempered glass
<b>Airflow</b>	600m <sup>3</sup> /h
<b>Motor Type</b>	1x180W
<b>Control Type</b>	Touch control Gesture control sensor
<b>Level of Speed</b>	3 speeds
<b>Lighting</b>	2x1.5W LED Lamp
<b>Filter Type</b>	5 Layer aluminium grease filter Activated carbon filter
<b>Air Outlet</b>	150mm
<b>Packing size</b>	655x455x518mm (600mm)
<b>Loading QTY(20/40/40HQ)</b>	240 / 370 / 430 (600mm)



**MCHW-H603**

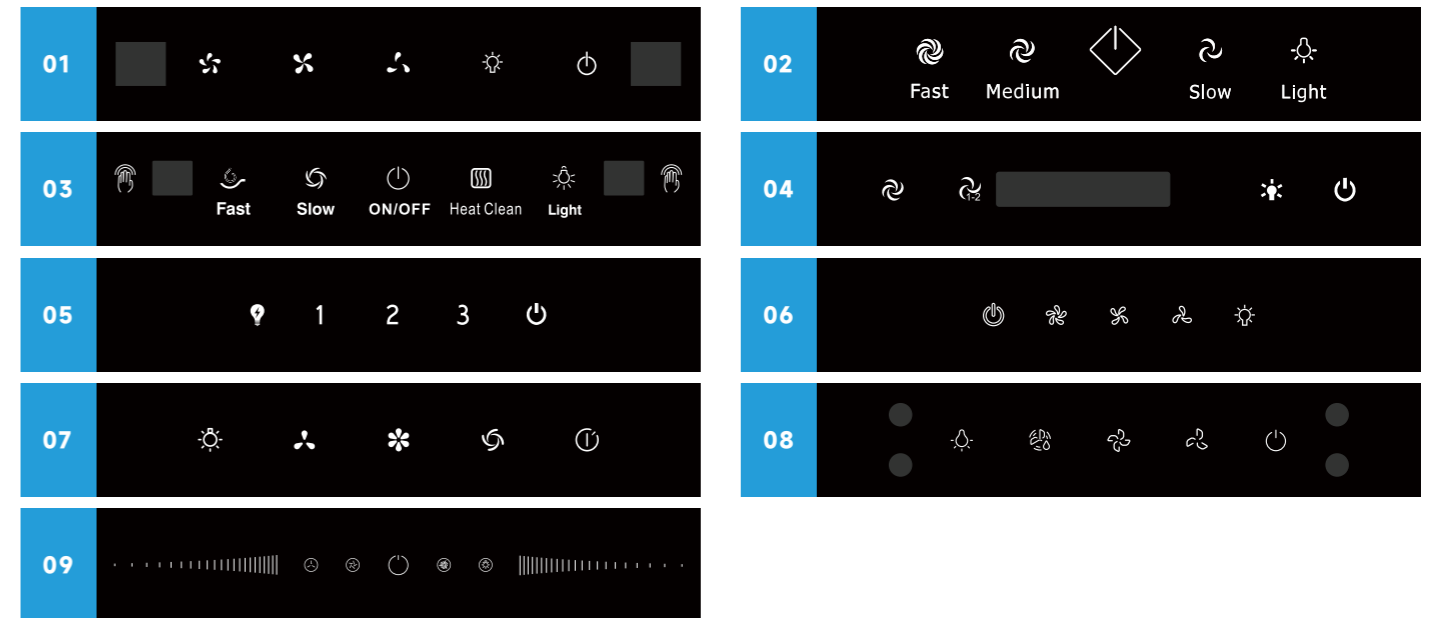


<b>Width</b>	600mm
<b>Material</b>	Painted body or S/S body
<b>Airflow</b>	600m <sup>3</sup> /h
<b>Motor Type</b>	1 x 180W
<b>Control Type</b>	Piano switch control
<b>Level of Speed</b>	3 speeds
<b>Lighting</b>	2x1.5W LED Lamp
<b>Filter Type</b>	3 Layer aluminium grease filter Activated carbon filter
<b>Air Outlet</b>	150mm
<b>Packing size</b>	641x465x521mm (600mm)
<b>Loading QTY(20/40/40HQ)</b>	240 / 370 / 430 (600mm)



## RANGE HOOD ACCESSORIES

### Range Hood Panel Option



### Slim Range Hood

<p><b>Color</b></p>	<p><b>Multi Control</b></p>	<p><b>2x1.5W LED</b></p> <p>Energy Saving</p>	<p><b>Multi Control</b></p>
<p><b>With Carbon Filter/Pipe</b></p>	<p><b>Multit Filter</b></p>	<p><b>With Carbon Filter/Pipe</b></p>	<p><b>Big Air Flow</b></p> <p>Max.Air Flow: 400 m<sup>3</sup>/h</p>



**MHBS-312P**

- 300mm SS
- Heat Power(KW) : 1.5KW / 2KW (Electricity)
- Product Size (mm): 310 (W) x 510 (D) x 95 (H)
- Cut-out Size (mm): 265 (W) x 475 (D)
- Packing Size (mm): 550 (W) x 360 (D) x 153 (H)
- Loading (20'/40'/40HQ): 990/1810/2040



**MHBS-604P**

- 600mm SS
- Heat Power(KW) : 1.5KW x 4(Electricity)
- Product Size (mm): 585 (W) x 505 (D) x 95(H)
- Cut-out Size (mm): 560 (W) x 480 (D) x R20
- Packing Size (mm): 640 (W) x 540(D) x 150 (H)
- Loading (20'/40'/40HQ): 540/1120/1310



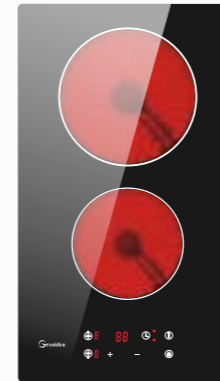
**MHBS-604P2**

- 600mm SS
- Heat Power(KW) : 1.5KW (Electricity)  
1.0KW / 1.75KW /3.3KW (Gas)
- Product Size (mm): 585 (W) x 505 (D) x 95(H)
- Cut-out Size (mm): 560 (W) x 480 (D) x R20
- Packing Size (mm): 640 (W) x 540(D) x 150 (H)
- Loading (20'/40'/40HQ): 540/1120/1310



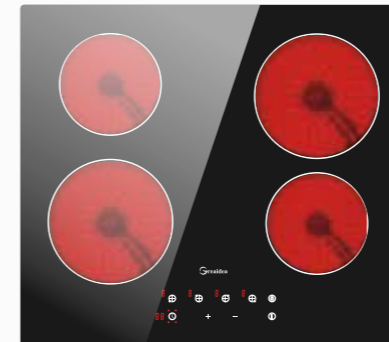
**MEBG-302C**

- Product Size : 510 x 290mm
- Built-inSize : 493 x 273mm
- ControlPanel : Sensortouch
- Auto switch off safety
- Protection againstaccidental startup
- Control Lock/Child Safety
- 20GP/40HQ : 1200pcs / 2500pcs
- Voltage : 220~240V
- Frequency : 50 / 60Hz
- Total power : 3000W
- Up zone : 1800W
- Down zone : 1200W



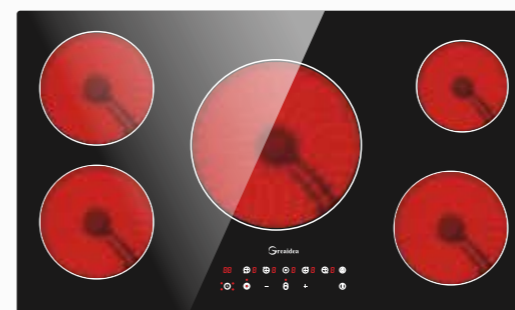
**MEBG-604C**

- Product Size : 590x520mm
- Built-inSize : 560x490mm
- ControlPanel : Sensortouch
- Auto switch off safety
- Protection againstaccidental startup
- Control Lock/Child Safety
- 20GP/40HQ : 600pcs / 1400pcs
- Voltage : 220~240V
- Frequency : 50 / 60Hz
- Total power : 6000W
- Leftup zone:1800W
- Left down zone : 1200W
- Right up zone : 1200W
- Right down zone : 1800W



**MEBG-604C**

- Product Size : 900x520mm
- Built-inSize : 870x490mm
- ControlPanel : Sensortouch
- Auto switch off safety
- Automatic switch off when overheat
- Protection againstaccidental startup
- Control Lock/Child Safety
- 20GP/40HQ : 430pcs / 1040pcs
- Voltage : 220~240V
- Frequency : 50 / 60Hz
- Total power : 8600W
- Leftup zone: 2000W
- Left down zone : 1500W
- Middle zone : 2200W
- Right up zone : 1500W
- Right down zone : 2000W







**TGW(B)2-P**

- Color: Black / White
- Certificate: CE
- 2 Burner Gas Grill: 2x1.8Kw
- With backguard
- Iron Grids: Electrophores
- Enamel cap + Aluminium seat (White)
- Manual ignition
- Product Size: 590mm×280mm×80mm
- Packing Size: 595mm×380mm×75mm
- N.W.(kg): 2.37
- Loading (20GP/40GP/40HQ): 1750/3600/4100



**TGB(W)2-C**

- Color: Black / White
- Certificate: CE
- 2 Burner Gas Grill: 2x1.8Kw
- With Cover
- Iron Grids: Electrophores
- Enamel cap + Aluminium seat (Black)
- Manual ignition
- Product Size: 590mm×320mm×80mm
- Packing Size: 595mm×380mm×72mm
- N.W.(kg): 2.67
- Loading (20GP/40GP/40HQ): 1800/3600/4200



**TGB(W)4-PS**

- Color: Black / White
- Certificate: CE
- 4 Burner Gas Stove: 4x1.8Kw
- With backguard
- Iron Grids: Electrophores
- Enamel cap + Aluminium seat (Black)
- Manual ignition
- Product Size: 490mm×540mm×140mm
- Packing Size: 495mm×545mm×155mm
- N.W.(kg): 4.54
- Loading (20GP/40GP/40HQ): 700/1400/1650



**SG-203-16(2 Burners)**

- Item Dimensions LxWxH: 560 x 320x 95mm
- Certificate: CE
- Power: 15000BTU x 2
- Input Pressure: 1bar/100kpa Pipe Valve KR-276Y15
- Ignition Device: 1 piezoelectric ignition system
- Loading (20'/40'/40HQ): 1400/2900/3100
- G.W. / N.W.: 4kg / 3.6kg
- Quantity: 4 pieces/master box



**SG-208-79G29(2 Burners)**

- Item Dimensions LxWxH: 420 x 230x 83mm
- Certificate: CE
- Power: 7000BTU x 2 (7.4MJ/h x 2, 2kW x 2, 150g/h x 2)
- Input Pressure: 1bar/100kpa Pipe Valve KR-276Y15
- Loading (20'/40'/40HQ): 2460/5010/6270
- G.W. / N.W.: 1.5kg / 1.3kg
- Quantity: 5 pieces/master box
- Accessories: valve body, 1 meter long pipe

**BUILT-IN GAS OVEN**



**QMG60-3M11**

- Material: Semi-mirror glass
- Mechanical knob control
- Capacity: 80 L
- Integral cooling fan system
- 1 Shallow baking pan, 1 Oven grid
- Upper+Bottom gas burner
- Oven with thermostat and safety
- Oven with rear fan and rotisserie
- Configurations: Rear fan (6 programs)
- 3 knobs
- Product size(mm): 595x547x595
- Built-in size(mm): 572x500x590
- Carton size(mm): 635x570x640
- Loading (20'/40'/40HQ): 108 / 216 / 288

**QMB60-3M00**

- Material: Mirror coating outer glass
- Mechanical knob control
- Capacity: 80 L
- Integral cooling fan system
- 1 Shallow baking pan, 1 Oven grid
- Upper electric pipe+Bottom gas burner
- Oven with thermostat and safety
- Configurations: Rear fan (6 programs)  
Circle heating+fan
- 3 knobs
- Product size(mm): 595x547x595
- Built-in size(mm): 572x500x590
- Carton size(mm): 635x570x640
- Loading (20'/40'/40HQ): 108 / 216 / 288

**FREE STANDING OVEN**



**KZ500-E4AB**

- High temperature enameled top panel
- Tempered glass cover
- Black coating body
- 4 hotplate in the cooktop  
(2xφ145mm,2xφ180mm)
- Upper electric pipe:1300W  
Bottom electric pipe:1500W
- One grid,One tray
- Oven capacity: 60L
- Voltage / Frequency: 220-240 V / 50-60Hz
- Product size(mm): 500 x 500 x 820
- Carton size(mm): 510 x 575 x 840
- Loading (40HQ): 264 pcs (Glass cover)

**KZ760-G5AB**

- S/S top panel
- Tempered glass cover
- Black coating body
- Double oven glass door
- 5 cast iron gas burners in the cooktop  
(2xφ60mm,2xφ90mm,1xφ120mm)
- Enameled pan support
- Upper and bottom burner in the oven
- One grid,One tray
- Oven capacity:102L
- Product size(mm): 740 x 550 x 860
- Carton size(mm): 795 x 580 x 865
- Loading (40HQ): 174 pcs