

-CU004-10GM/GC

0.4 MP 1/2.9" CMOS GigE Area Scan Camera

GEN*i*CAM

GigE
VISION

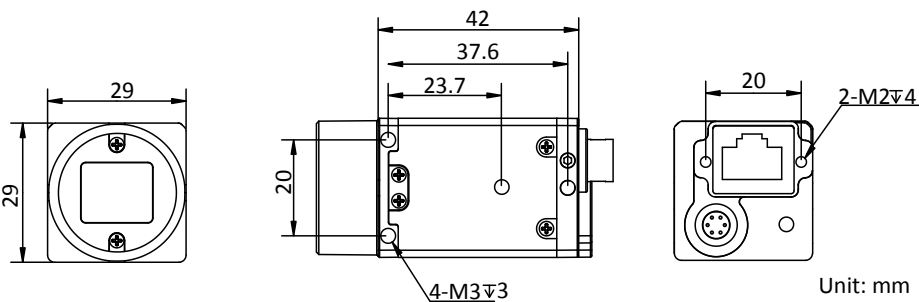
Introduction

The U004-10GM/GC camera adopts Sony® IMX297 sensor to provide high-quality images. It uses GigE interface to transmit non-compressed images in real time, and its max. frame rate can reach 126.5 fps in full resolution.

Key Feature

- Adopts low power consumption design with stable performance.
- Supports auto and manual adjustment of gain, exposure time, etc.
- Supports hardware trigger, software trigger, free run, etc.
- Adopts GigE interface and max. transmission distance of 100 meters without relay.
- Compatible with GigE Vision V2.0 Protocol, GenICam Standard, and third-party software based on the protocol and standard.

Dimension



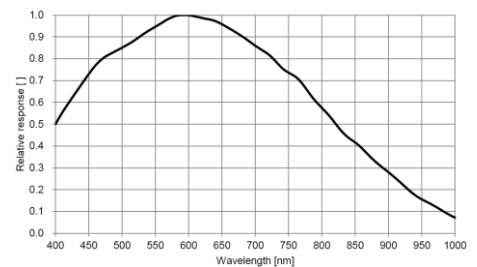
Available Model

Mono camera: -C U004-10GM
Color camera: HC-CU004-10GC

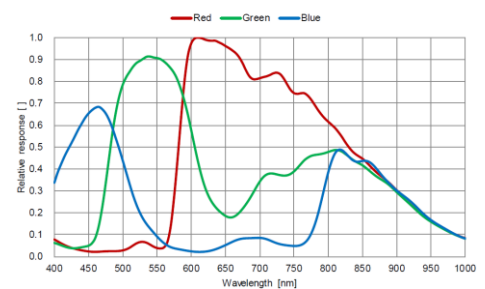
Applicable Industry

Electronics and semiconductor, factory automation, logistics and code reading, medicine package, etc.

Sensor Quantum Efficiency



HC-CU004-10GM



-C U004-10GC

Specification

Model	HC-CU004-10GM	HC-CU004-10GC
Camera		
Sensor type	CMOS, global shutter	
Sensor model	Sony® IMX297	
Pixel size	6.9 μm × 6.9 μm	
Sensor size	1/2.9"	
Resolution	720 × 540	
Max. frame rate	126.5 fps @720 × 540 Mono 8	126.5 fps @720 × 540 Bayer RG 8
Dynamic range	74 dB	
SNR	41 dB	
Gain	0 dB to 24 dB	
Exposure time	UltraShort exposure mode: 1 μs to 14 μs	
	Standard exposure mode: 15 μs to 10 sec	
Exposure mode	Off/Once/Continuous exposure mode	
Mono/color	Mono	Color
Pixel format	Mono 8/10/10Packed/12/12Packed	Bayer RG 8/10/10Packed/12/12Packed
Binning	Supports 1 × 1, 2 × 2, 4 × 4	
Decimation	Supports 1 × 1, 2 × 2, 4 × 4	
Reverse image	Supports horizontal and vertical reverse image output	
Electrical features		
Data interface	Gigabit Ethernet, compatible with Fast Ethernet	
Digital I/O	6-pin P7 connector provides power and I/O, including non-isolated input × 1 (Line 0), non-isolated output × 1 (Line 1), bi-directional non-isolated I/O × 1 (Line 2).	
Power supply	9 VDC to 24 VDC, PoE is optional	
Power consumption	Typ. 2 W@12 VDC	
Mechanical		
Lens mount	C-Mount	
Dimension	29 mm × 29 mm × 42 mm (1.1" × 1.1" × 1.7")	
Weight	Approx. 76 g (0.17 lb.)	
Ingress protection	IP30 (under proper lens installation and wiring)	
Temperature	Working temperature: 0 °C to 50 °C (32 °F to 122 °F)	
	Storage temperature: -30 °C to 70 °C (-22 °F to 158 °F)	
Humidity	20% to 95% RH, non-condensing	
General		
Client software	MVS or third-party software meeting with GigE Vision Protocol	
Operating system	32/64-bit Windows XP/7/10, 32/64-bit Linux and 64-bit MacOS	
Compatibility	GigE Vision V2.0, GenICam	
Certification	CE, FCC, RoHS, KC	