

MV-ID5060M-***S-WBN

6 MP Smart Code Reader



Introduction

With mechanical autofocus lens, MV-ID5060M-***S-WBN smart code reader can read different types codes with reading speed up to 90 codes/sec. It adopts Hikrobot’s deep learning algorithm to process image with good robustness, and can recognize various complex barcodes.

Key Feature

- Adopts built-in deep learning algorithm to read barcodes with good robustness.
- Adopts mechanical autofocus lens to achieve automatic focusing.
- Adopts multiple IO interfaces for input and output signals.
- Supports multiple communication protocols, including TCP, Serial, FTP, Profinet, etc.
- Adopts CMOS sensor to acquire image data and provide high-quality image.
- Supports RS-232 serial port and indicators displaying device status.

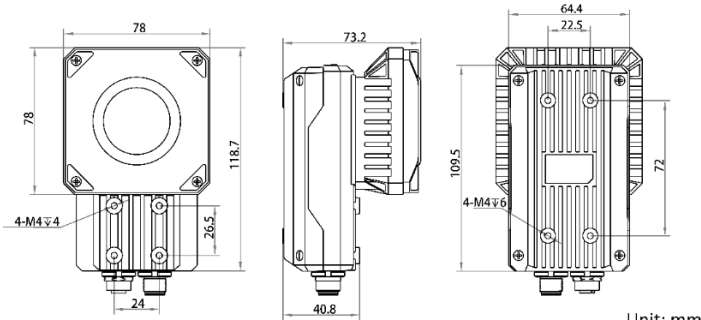
Available Model

- 8 mm focal length: MV-ID5060M-08S-WBN
- 12 mm focal length: MV-ID5060M-12S-WBN
- 16 mm focal length: MV-ID5060M-16S-WBN
- 25 mm focal length: MV-ID5060M-25S-WBN

Applicable Industry

Consumer electronics, food and beverage, pharmaceutical, semiconductor, automobile, new energy, etc.

Dimension



Unit: mm

Specification

Model	MV-ID5060M-08S-WBN	MV-ID5060M-12S-WBN	MV-ID5060M-16S-WBN	MV-ID5060M-25S-WBN
Performance				
Symbologies	1-dimensional codes: Code 39, Code 93, Code 128, ITF 25, CodaBar, EAN, MATRIX 25, MSI, Industrial 25, China Post, Code 11			
	2-dimensional codes: QR Code, Data Matrix			
Max. frame rate	30 fps @3072 × 2048			
Max. reading speed	90 codes/sec			
Sensor type	CMOS, rolling shutter			
Pixel size	2.4 μm × 2.4 μm			
Sensor size	1/1.8"			
Resolution	3072 × 2048			
Exposure time	16 μs to 1 sec			
Gain	0 dB to 40 dB			
Mono/color	Mono			
Communication protocol	SmartSDK, TCP Client, TCP Server, Serial, FTP, Profinet, Ethernet/IP, ModBus, MELSEC, Fins			
Electrical feature				
Data interface	Gigabit Ethernet interface			
Digital I/O	12-pin M12 connector provides power and I/O, including opto-isolated input (LineIn 0/1/2) × 3, opto-isolated output (LineOut 0/1/2) × 3, RS-232 input × 1, and RS-232 output × 1.			
Power supply	12 VDC to 24 VDC			
Max. power consumption	Approx. 20 W@24 VDC (light source is enabled)			
Mechanical				
Focal length	8 mm (0.3")	12 mm (0.5")	16 mm (0.6")	25 mm (1.0")
Lens mount	M12-mount, mechanical autofocus lens.			
Lens cap	Transparent lens cap. Polarization lens cap is optional.			
Light source	White light. Red or blue light is optional.			
Indicator	Power indicator (PWR), network indicator (LNK/ACT), and user-defined indicator (U1/U2).			
Dimension	118.7 mm × 78 mm × 73.2 mm (4.7" × 3.1" × 2.9")			
Weight	Approx. 520 g (1.1 lb.)			
Ingress protection	IP67 (under proper installation of waterproof lens cap)			
Temperature	Working temperature: 0 °C to 50 °C (32 °F to 122 °F) Storage temperature: -30 °C to 70 °C (-22 °F to 158 °F)			
Humidity	20% to 95% RH, non-condensing			
General				
Client software	IDMVS			
Certification	CE, FCC, RoHS			