

# MV-ID5016M-\*\*\*S-WBN

## 1.6 MP Smart Code Reader



### Introduction

With mechanical autofocus lens, MV-ID5016M-\*\*\*S-WBN smart code reader can read different types of codes with reading speed up to 90 codes/sec. It adopts Hikrobot's deep learning algorithm to process image with good robustness, and can recognize various complex codes.

### Key Feature

- Adopts built-in deep learning algorithm to read codes with good robustness.
- Adopts mechanical autofocus lens to achieve automatic focusing.
- Adopts multiple IO interfaces for input and output signals.
- Supports multiple communication protocols, including TCP, Serial, FTP, Profinet, etc.
- Adopts CMOS sensor to acquire image data and provide high-quality image.
- Supports RS-232 serial port and indicators displaying device status.

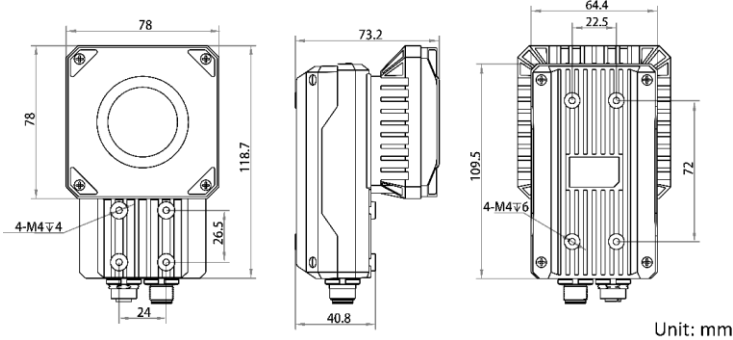
### Available Model

- 6 mm focal length: MV-ID5016M-06S-WBN
- 12 mm focal length: MV-ID5016M-12S-WBN
- 15 mm focal length: MV-ID5016M-15S-WBN
- 25 mm focal length: MV-ID5016M-25S-WBN

### Applicable Industry

Consumer electronics, food and beverage, pharmaceutical, semiconductor, automobile, new energy, etc.

### Dimension



# Specification

Model	MV-ID5016M-06S-WBN	MV-ID5016M-12S-WBN	MV-ID5016M-15S-WBN	MV-ID5016M-25S-WBN
<b>Performance</b>				
<b>Symbologies</b>	1-dimensional codes: Code 39, Code 93, Code 128, CodaBar, EAN 8, EAN 13, UPCA, UPCE, ITF 14, ITF 25, Matrix 25, MSI, China Post, Code 11, Industrial			
	2-dimensional codes: QR Code, Data Matrix			
<b>Max. frame rate</b>	60 fps @1408 × 1024			
<b>Max. reading speed</b>	90 codes/sec			
<b>Sensor type</b>	CMOS, global shutter			
<b>Pixel size</b>	3.45 μm × 3.45 μm			
<b>Sensor size</b>	1/2.9"			
<b>Resolution</b>	1408 × 1024			
<b>Exposure time</b>	16 μs to 1 sec			
<b>Gain</b>	0 dB to 40 dB			
<b>Mono/color</b>	Mono			
<b>Communication protocol</b>	SmartSDK, TCP Client, Serial, FTP, TCP Server, Profinet, Ethernet/IP, MELSEC, Fins, ModBus, SLMP			
<b>Electrical feature</b>				
<b>Data interface</b>	Gigabit Ethernet interface			
<b>Digital I/O</b>	12-pin M12 connector provides power and I/O, including opto-isolated input (LineIn 0/1/2) × 3, opto-isolated output (LineOut 0/1/2) × 3, RS-232 input × 1, and RS-232 output × 1.			
<b>Power supply</b>	12 VDC to 24 VDC			
<b>Max. power consumption</b>	Approx. 36 W@24 VDC (light source is enabled)			
<b>Mechanical</b>				
<b>Focal length</b>	6 mm (0.2")	12 mm (0.5")	15 mm (0.6")	25 mm (1.0")
<b>Lens mount</b>	M12-mount, mechanical autofocus lens.			
<b>Lens cap</b>	Transparent lens cap. Polarization lens cap is optional.			
<b>Light source</b>	White light. Red or blue light is optional.			
<b>Indicator</b>	Power indicator (PWR), network indicator (LNK/ACT), and user-defined indicator (U1/U2).			
<b>Dimension</b>	118.7 mm × 78 mm × 73.2 mm (4.7" × 3.1" × 2.9")			
<b>Weight</b>	Approx. 520 g (1.1 lb.)			
<b>Ingress protection</b>	IP67 (under proper installation of waterproof lens cap)			
<b>Temperature</b>	Working temperature: 0 °C to 50 °C (32 °F to 122 °F) Storage temperature: -30 °C to 70 °C (-22 °F to 158 °F)			
<b>Humidity</b>	20% to 95% RH, non-condensing			
<b>General</b>				
<b>Client software</b>	IDMVS			
<b>Certification</b>	CE, FCC, RoHS			