

A

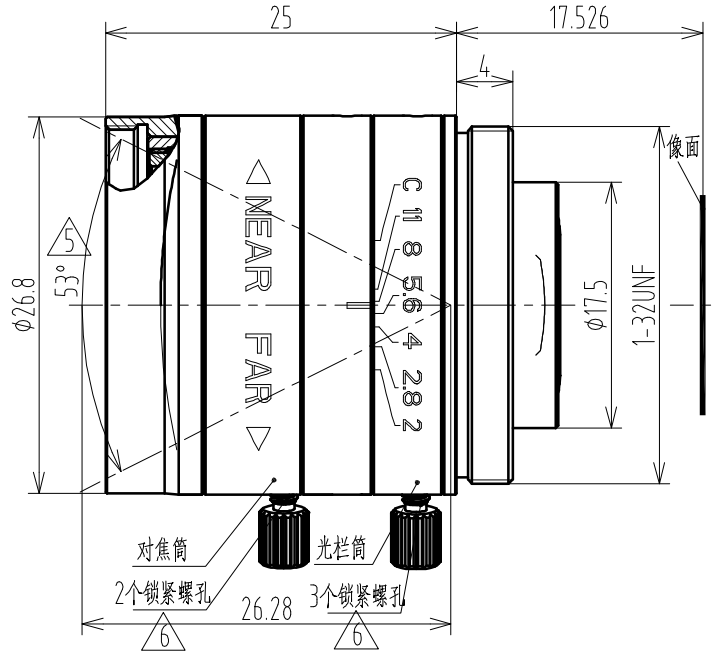
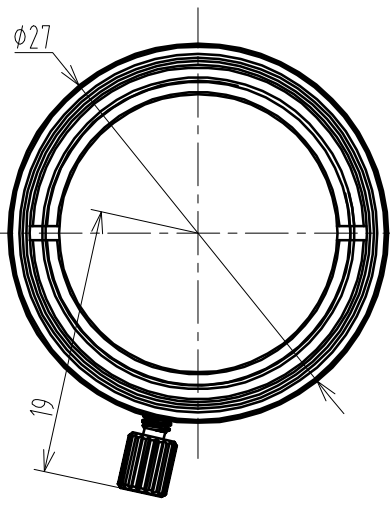
B

C

A

B

C



1/1.8" F2.0 C Mount

| | | Working distance | | | Optical Magnification | 1/1.8" Field of View(mm) | |
|------------------------------|---|-------------------------------------|---------------------|-----------------|-----------------------|--------------------------|-------------|
| Focal Length | | f=8mm | | | mm | H | V |
| F/NO | | F=2.0-C | | | 900 | 0.009X | 792 594 |
| Image Size | | 1/1.8"(7.2x5.32mm) | 1/2.5"(5.76x4.32mm) | 1/3"(4.8x3.6mm) | 850 | 0.009X | 749.3 562 |
| Angle FOV | H | 46.8° | 38.2° | 32.2° | 800 | 0.010X | 705.7 529.2 |
| | V | 36.0° | 29.11° | 24.5° | 750 | 0.011X | 662 496.5 |
| | D | 56.0° | 47.7° | 40.3° | 700 | 0.011X | 618.4 463.8 |
| Object Dimension at WD.300mm | H | 269.4mm | 219.2mm | 186mm | 650 | 0.012X | 574.2 430.7 |
| | V | 202mm | 164.2mm | 136.7mm | 600 | 0.013X | 531.2 398.3 |
| | D | 336.7mm | 274mm | 232.5mm | 550 | 0.015X | 487.5 365.6 |
| Distortion (TV) | | <0.1% | | | 500 | 0.016X | 443.9 332.9 |
| Focus distance(min) | | 0.1m | | | 450 | 0.018X | 400.3 300.2 |
| Flange back | | 17.526mm in air | | | 400 | 0.020X | 356.6 267.5 |
| Back focus | | 11.4mm in air | | | 350 | 0.023X | 313 234.8 |
| Filter screw size | | M25.5xP0.5 | | | 300 | 0.026X | 269.4 202 |
| Front/Rear Effective Dia | | Front ϕ 20.1mm Rear ϕ 6mm | | | 250 | 0.032X | 225.5 169.1 |
| Mount | | C-Mount | | | 200 | 0.039X | 182.2 136.6 |
| Temperature Range | | -10~+50°C | | | 150 | 0.052X | 138.6 103.9 |
| Storage Temperature Range | | -20~+60°C | | | 100 | 0.076X | 95.2 71.4 |

F

F

| | | | | | | | | | | | |
|---------------|----|-------|-----|--|-----|------------|----|--------------|--|-----|----|
| | | | | TOLERANCE: LINEARITY TOLERANCES ± 0.05 ANGULAR TOLERANCES ARE $\pm 30'$ DRAFT ANGLES AREA $\pm 0.5^\circ$ /SIDE | | 三角法 | | 材料(环保) | | 单位 | 比例 |
| | | | | | | --- | | mm | | 2:1 | |
| | | | | 设计 | 朱周德 | 2015-08-31 | 名称 | FA0801C规格图 | | | |
| | | | | 校对 | | | | FA0801C-SPEC | | | |
| | | | | 审核 | | | 代号 | FA0801C-SPEC | | | |
| | | | | 批准 | | | | V6 | | | |
| $\triangle 6$ | 2 | | 朱周德 | 2018,01,23 | | | | | | | |
| 标记 | 处数 | 更改文件号 | 担当 | 变更日期 | | | | | | | |