

MVL-LF5040M-M42

Large Format $\Phi 37\text{mm}$ 50mm Focal Length FA LENS

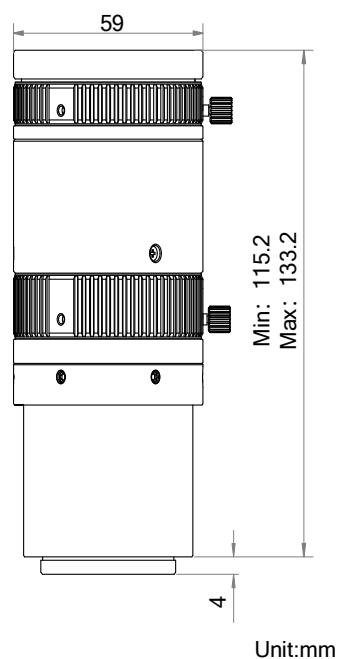
The APS-C fixed-focus lens are optimized for the application of large pixel line scan cameras in the machine vision industry, with excellent imaging quality, high image uniformity and low distortion design, magnification range from 0.01x to 0.33x. It is suitable for defect detection applications in PCB, packaging and printing industry.



Key Features

- Ultra-high resolution, supporting $3.1\mu\text{m}$ resolution
- Excellent consistency of image clarity, with large aperture, low distortion, low chromatic aberration and high relative illumination
- Maximum image circle $\Phi 37\text{mm}$, applicable to APS-C area scan and 4K $7\mu\text{m}$ line scan cameras

Dimension



Specification

Parameter	Model	MVL-LF5040M-M42
	Fixed focal length, Manual iris, Large format lens	
Performance		
Focal Length	50 mm	
F-Number	F4 ~ F22	
Image Size	Φ37 mm	
Distortion	0.21%	
Minimum Operation Distance	0.15 m	
Magnification Range	0.01x ~ 0.33x	
Field of View	4K 7μm (28.7mm) : 32°	
Mechanical		
Iris Control	Manual	
Focus Control	Manual	
Filter Thread	M52*0.75	
Mount	M42 × P1	
Flange Back Length	12 mm	
Dimension	Φ59 × 133.2 mm	
Weight	615 g	
Temperature	-10 ~ 50°C	
General		
Certification	RoHS2.0	