

SA3520M-10MP

4/3" 35mm 10MP FA LENS



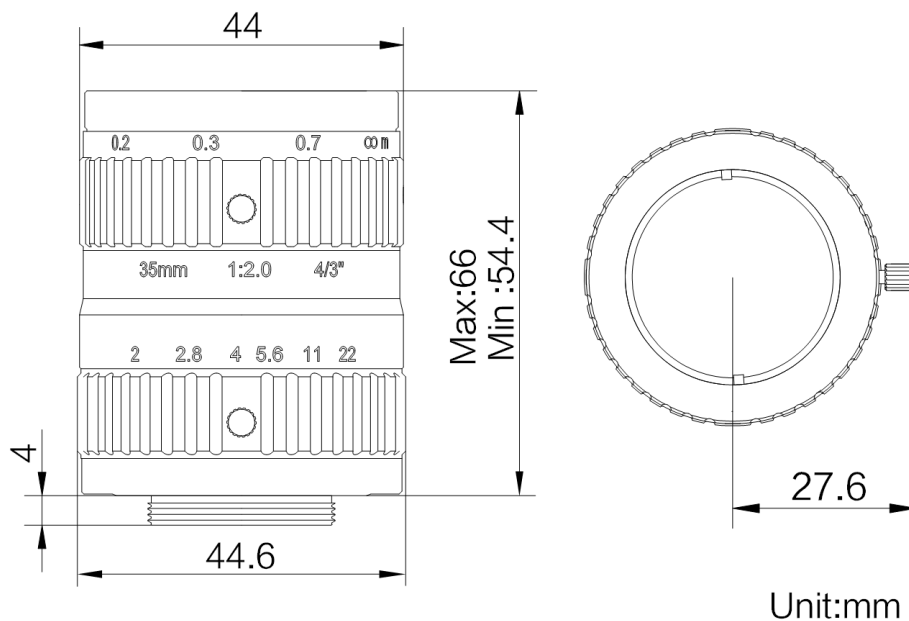
SA series FA Lens are optimized for machine vision light sources and sensors, with high resolution, excellent image uniformity, high transmittance and good stability. Featured with fixed focal length, manual aperture and compact size, it is suitable for machine vision industry application.



Key Features

- High resolution and excellent image uniformity
- F2.0, Maximum image circle of 4/3"
- Low distortion to improve measurement accuracy
- High peripheral brightness ratio to ensure image brightness consistency

Dimension



Specification

Parameter	Model	SA3520M-10MP
		Fixed focal length, Manual iris, 10MP, FA Lens
Performance		
Focal Length		35 mm
F-Number		F2.0 ~ F22
Image Size		Φ23 mm(4/3")
Optical Distortion		-0.56%
Minimum Operation Distance		0.2 m
Field of View		D (22.6 mm) : 36.6° H (18.13 mm) : 29.6° V (13.6 mm) : 22.4°
Mechanical		
Iris Control		Manual
Focus Control		Manual
Filter Thread		M40.5 × 0.75
Mount		C-Mount
Flange Back Length		17.526 mm
Dimension		Φ44.6×66 mm
Weight		171 g
Temperature		-10 ~ 50°C
General		
Certification		RoHS2.0

Field of View

Extension (mm)	Working Distance (mm)		Magnification	Field of View (mm)					
				4/3"		1.1"		2/3"	
				H(18.13mm)	V(13.6mm)	H(14.14mm)	V(10.35mm)	H(8.45mm)	V(7.07mm)
10	near	72.48	-0.477	38.03	28.53	29.66	21.71	17.73	14.83
	far	123.37	-0.286	63.38	47.54	49.43	36.18	29.54	24.71
5	near	103.90	-0.334	54.30	40.74	42.35	31.00	25.31	21.18
	far	245.42	-0.143	126.60	94.97	98.74	72.27	59.01	49.37
2	near	140.11	-0.248	73.06	54.81	56.98	41.71	34.05	28.49
	far	609.79	-0.057	315.34	236.55	245.94	180.02	146.97	122.97
1	near	158.46	-0.220	82.57	61.94	64.40	47.14	38.48	32.20
	far	1211.20	-0.029	626.87	470.24	488.91	357.87	292.17	244.46
0		200	-0.183	99.50	74.52	76.96	56.64	46.22	38.65
		250	-0.145	135.57	94.22	97.79	71.48	58.32	48.77
		300	-0.120	151.64	113.55	118.09	86.31	70.42	58.89
		350	-0.103	177.70	133.07	138.38	101.14	82.51	69.01
		400	-0.090	203.77	152.58	158.67	115.97	94.61	79.13
		450	-0.079	229.83	172.09	178.97	130.79	106.71	89.24
		500	-0.071	255.89	191.60	199.26	145.62	118.81	99.36
		550	-0.065	281.95	211.12	219.55	160.45	130.91	109.48
		600	-0.059	308.00	230.63	239.84	175.28	143.01	119.60
		650	-0.055	334.06	250.14	260.13	190.11	155.11	129.72
		700	-0.051	360.12	269.65	280.42	204.94	167.21	139.84
		750	-0.047	386.18	289.16	300.71	219.77	179.31	149.96
		800	-0.044	412.23	308.68	321.01	234.60	191.41	160.08
		850	-0.042	438.29	328.19	341.30	249.43	203.51	170.20
		900	-0.039	464.35	347.70	361.59	264.26	215.61	180.32
	950	-0.037	490.40	367.21	381.88	279.09	227.71	190.43	
	1000	-0.035	516.46	386.72	402.17	293.93	239.81	200.55	