

MVL-KF0618M-12MPE

1.1" 6mm 12MP FA LENS

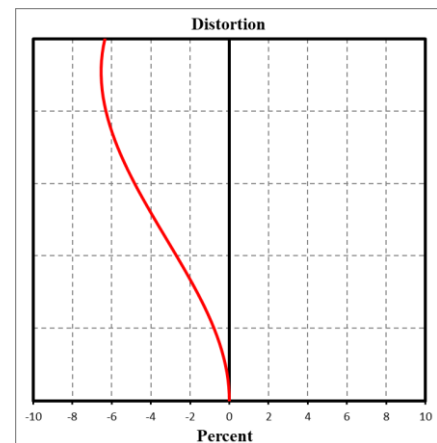
KF-E series FA Lens are optimized for machine vision light sources and sensor, with high resolution, excellent image quality, high transmittance and good stability. Featured with fixed focal length, manual aperture and compact size, it is suitable for machine vision industry applications and ideal for industrial cameras.



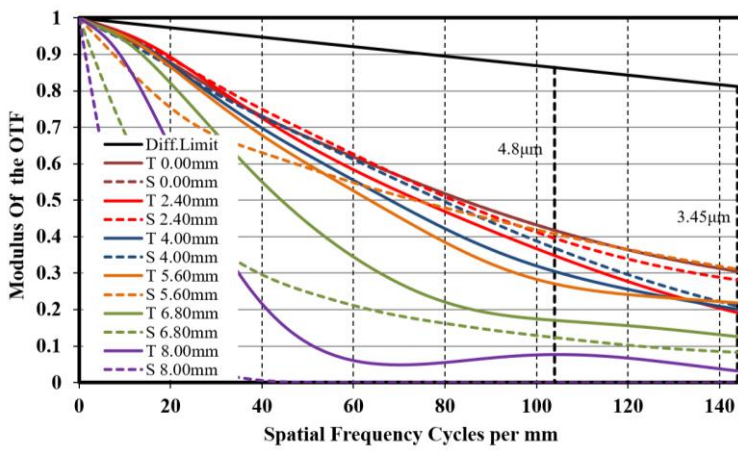
Key Features

- Ultra high resolution and consistency of image clarity
- Lower distortion
- Super high image peripheral brightness ratio
- Excellent optical properties are maintained at different object distances

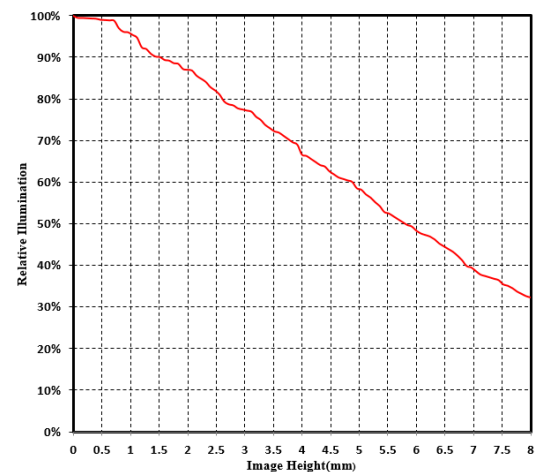
Distortion



MTF



Relative Illumination

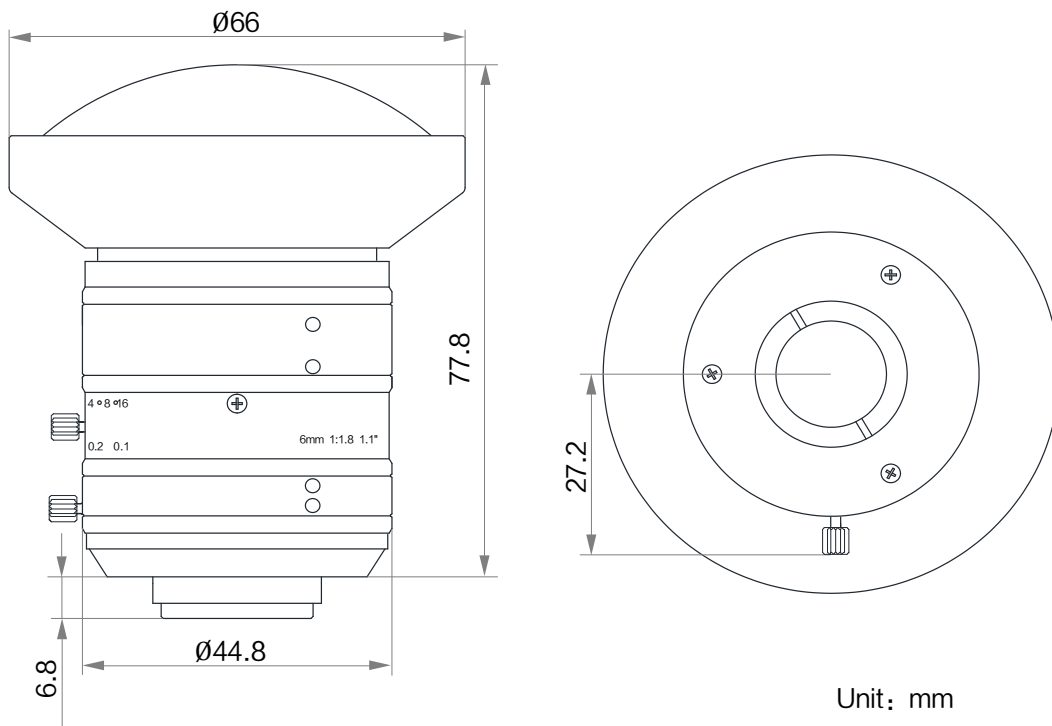


Note: The above curves are the simulate results based on F1.8, $\beta=-0.012$, WD=500 mm.

Specification

Model	MVL-KF0618M-12MPE
Parameter	Fixed focal length, Manual iris, 12MP, FA lens
Performance	
Focal Length	6 mm
F-Number	F1.8 ~ F16
Image Size	Φ17.6 mm(1.1")
Distortion	2.5%
Minimum Operation Distance	0.1 m
Field of View	D (17.52mm) : 118.2° H (14.14mm) : 104.9° V (10.35mm) : 86.2°
Mechanical	
Iris Control	Manual
Focus Control	Manual
Mount	C-Mount
Flange Back Length	17.526mm
Dimension	Φ66 × 77.8 mm
Weight	353 g
Temperature	-10 ~ 50°C
General	
Certification	RoHS2.0

Dimension



Field of View

Extension (mm)	Working Distance(mm)		Magnification	Field of View(mm)					
				1.1'' (14.14mm × 10.35mm)		1'' (12.45mm × 9.83mm)		2/3'' (8.45mm × 7.07mm)	
				H	V	H	V	H	V
1	near	6.27	-0.224	99.00	72.50	90.00	68.90	62.00	46.50
	far	21.56	-0.142	63.00	46.14	57.00	43.64	40.00	30.00
0	100		-0.050	291.28	217.54	256.47	202.50	174.07	145.64
	150		-0.036	407.90	298.61	359.20	283.60	243.79	203.98
	200		-0.028	525.78	384.86	462.94	365.52	314.20	262.89
	250		-0.023	641.59	469.62	564.91	446.03	383.40	320.79
	300		-0.019	766.53	561.07	674.92	532.88	458.07	383.20
	350		-0.017	877.30	642.19	772.50	609.93	524.31	438.68
	400		-0.015	997.50	730.10	878.32	693.40	596.13	498.77
	450		-0.013	1120.00	820.00	986.42	778.83	669.50	560.16
	500		-0.012	1234.25	903.43	1086.73	858.00	737.58	617.10
	550		-0.011	1387.80	1015.83	1221.90	964.79	829.35	693.90
	600		-0.010	1506.37	1102.61	1326.30	1047.20	900.20	753.18
	650		-0.009	1629.10	1192.50	1434.45	1132.58	973.58	814.58
	700		-0.009	1748.93	1280.16	1539.91	1215.84	1045.10	874.46
800		-0.008	1990.49	1456.90	1752.59	1383.77	1189.51	995.25	
900		-0.007	2230.42	1632.59	1963.84	1550.57	1332.89	1115.21	
1000		-0.006	2473.33	1810.40	2177.70	1719.40	1478.10	1236.70	