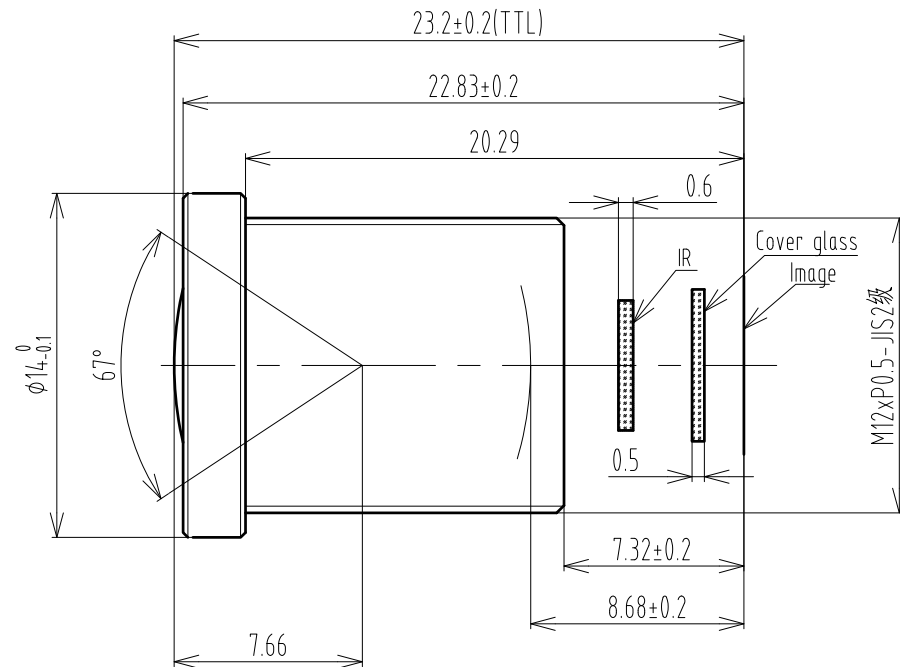


Main Specification			
Max image		φ7.2	
F.No		1.8±5%	
EFL		6±5%	
CRA		8.3°	
FOV(°) (IMX291 Sensor)	H (5.568mm)	V (3.132mm)	D (6.388mm)
	52.4°	29.6°	60°
FOV(°) (IMX238 Sensor)	H (4.8mm)	V (3.84mm)	D (6.15mm)
	45.3°	36.4°	57.7°
FOV(°) (IMX322+0.5mm)	H (5.876mm)	V (3.542mm)	D (6.668mm)
	55.2°	33.4°	62.3°
FOV(°) (IMX291+0.5mm)	H (6.068mm)	V (3.632mm)	D (6.888mm)
	56.9°	34.4°	64.2°
FFL(Cover glass(t=0.5)in +IR(t=0.6))		7.32±0.2	
BFL(Cover glass(t=0.5)in +IR(t=0.6))		8.68±0.2	
TTL		23.2±0.2	
TV Distortion		<-14.4%@1/2.5" <-9.6%@1/3"	
Relative illumination		50%@1/2.5" 50%@1/2.7"	
Structure		5G	
Resolution		Center:200lp/mm 0.7Y:100lp/mm	
SURFACE QUALITY			
Center		80-50	
Margin		80-50	



					TOLERANCE: LINEARITY TOLERANCES ±0.05 ANGULAR TOLERANCES ARE ±30' DRAFT ANGLES AREA ±0.5°/SIDE		三角法		材料(环保)		单位	比例
△4	1	---	CHP	2017-11-15							mm	5:1
△3	2	---	CHP	2017-09-15	设计	CHP	2016-9-14		名称		CV0260A LENS	
△2	9	---	CHP	2017-08-28	校对				代号		CV0260A SPEC	
△1	1	---	CHP	2016-09-14	审核				批准		版本	
版本	处数	更改文件号	担当	变更日期	批准						V4	