

## MVL-HF0328-05S

### 3.37mm F2.8 M12 Mount Lens

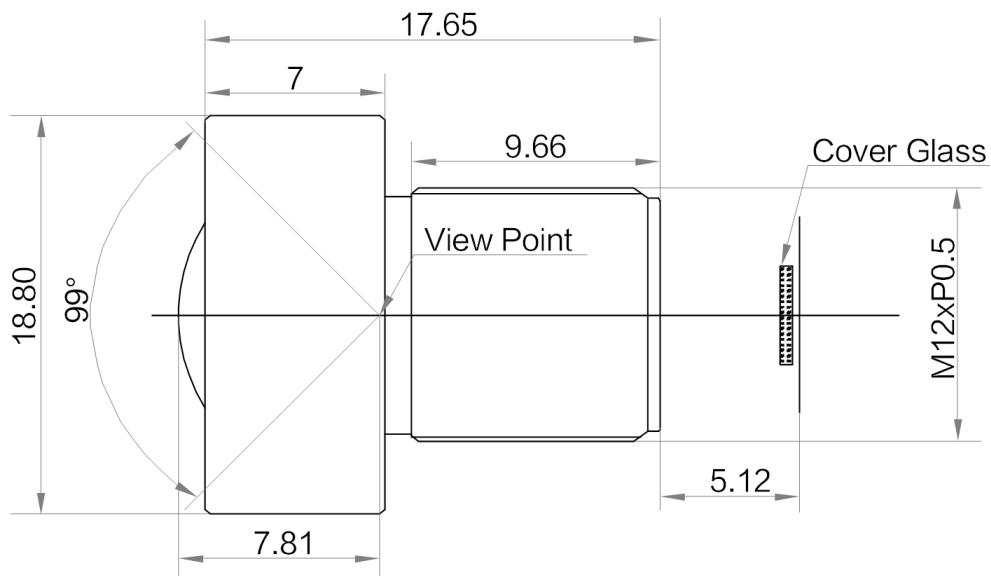
M12 series lens is designed for machine vision applications with excellent imaging quality from near to infinity. It is suitable for board cameras with different resolutions. Adapt for measurement, positioning, defect detection, code scanning and other fields.



### Key Features

- Optimization design for machine vision
- High resolution, High consistency of picture definition
- Low Distortion, High relative illumination
- S-Mount (M12 \* 0.5), Easy system integration

### Dimension



Unit: mm

## Specification

	Model	MVL-HF0328-05S
Parameter		3.37mm F2.8 M12 Mount Lens
<b>Performance</b>		
Focal Length		3.37 mm
F-Number		F2.8
Image Size		Φ9 mm(1/1.8")
TV Distortion		<1%
Working Distance Range		100 ~ 850 mm
Field of View		D (8.0 mm) : 100° H (6.4 mm) : 86° V (4.8 mm) : 70°
<b>Mechanical</b>		
Mount		S-Mount
TTL		23.7 ~ 24.3 mm
Dimension		Φ18.8 mm × 17.7 mm
Temperature		-10 ~ 50°C
<b>General</b>		
Certification		RoHS2.0