

USB 3.0 GeniCam® Cameras

HC-CA016-10UM/HC-CA016-10UC

USB3 Vision® protocol & GeniCam® standard

Standard vision SDK platform for easy integration in existing software.

Full GeniCam® compliant: easy to integrate

GeniCam® compliant SDK package provides more flexibility to Vision Systems®.

USB 3.0 connectivity

Easy connectivity to most new computers with 5gbps bandwidth.

High frame rate up to 249.1 fps

High frame rate ideal for high speed applications.



USB
VISION

GEN<i>CAM

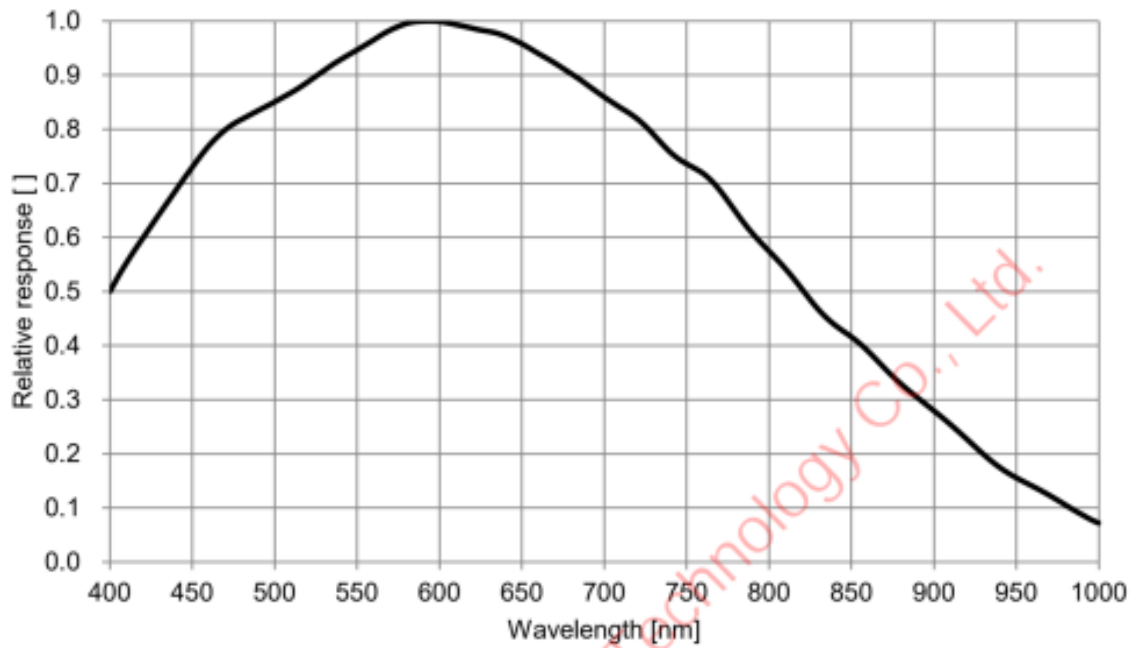
Specifications

Model	Sensor	Sensor Type	Shutter	Resolution	Frame rate (fps)	Bit depth	Interface	Mono/ Color	Pixel size (μm)	Sensor size
HC-CA016-10UM	Sony IMX273	CMOS	Global	1440×1080	249.1	12	USB 3.0	Mono	3.45 x 3.45	1/2.9"
HC-CA016-10UC	Sony IMX273	CMOS	Global	1440×1080	249.1	12	USB 3.0	Color	3.45 x 3.45	1/2.9"

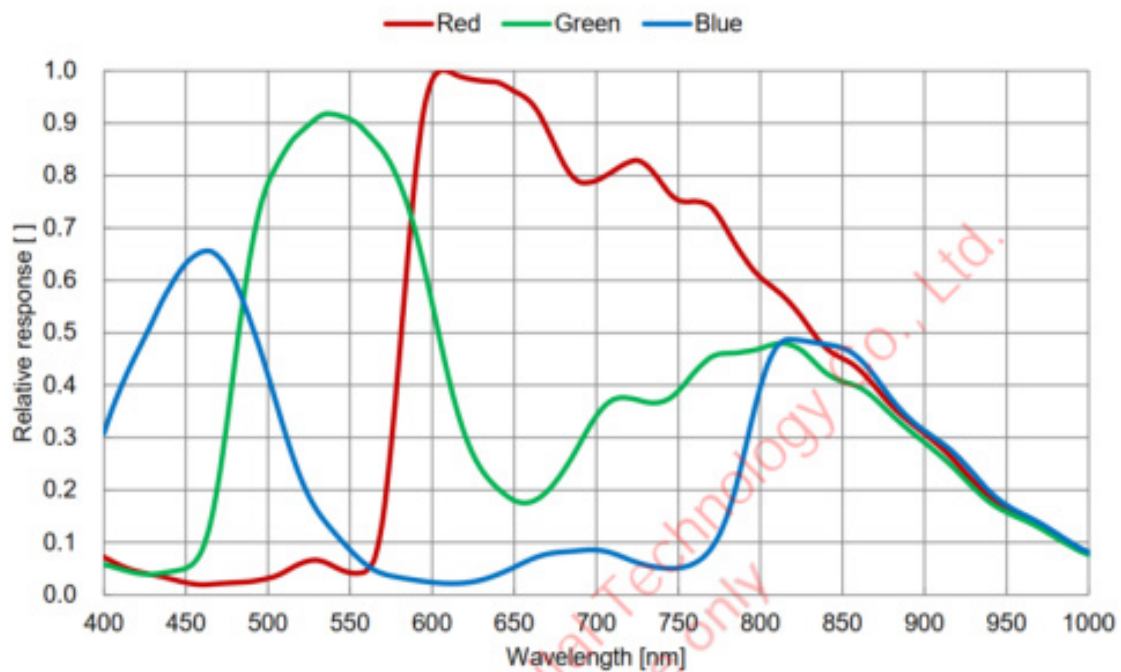
Model	HC-CA016-10UM	HC-CA016-10UC
Effective Pixels	1.6MP	
SNR	40 dB	
Dynamic Range	71 dB	
GPIO	6 pin Hirose: 1 Opto-isolated input, 1 Opto-isolated output, 1 configurable input/output without opto isolation	
Image Format	Mono 8/10/10p/12/12p	Mono 8/10/12 Bayer RG 8/10/10p/12/12p YUV422Packed, YUV422_YUYV_Packed RGB8, BGR 8
Binning	Support	
Decimation	Support	
Gain	0 dB ~17 dB	
ROI	Support	
Exposure Time	15 μs ~ 10 sec	
Trigger Mode	Software trigger/Hardware trigger/Free run mode	
Image Buffer	128MB	
User Setting	Support two sets of user-defined configurations	
Dimensions	229mm*29mm*30mm	
Weight	60g	
Power Supply	Power supply via USB connector	
Power Consumption	≈ 2.8W	
Lens Mount	C-mount	
Temperature	Storage temperature: -30° C~ + 70° C; Operation temperature: 0° C~+50° C	

Spectral Characteristics

Spectral Sensitivity - HC-CA016-10UM

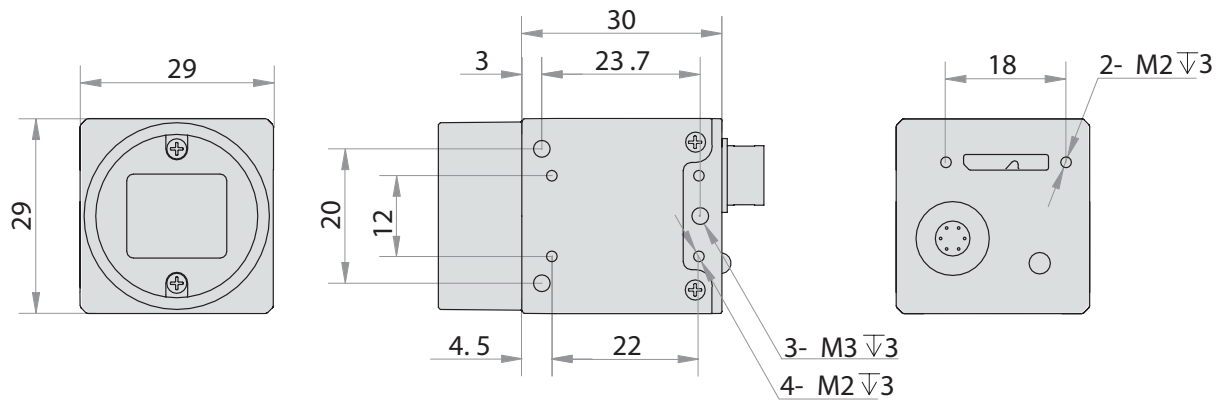


Spectral Sensitivity - HC-CA016-10UC



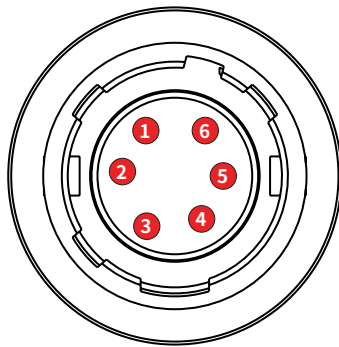
Dimensional Diagrams

HC-CA016-10UM/UC (Unit:mm)



I/O Connector

6pin power & I/O port



Pin	Signal	Description
1	DC_PWR	Camera Power
2	Line0+	Opto-isolated input
3	Line2+	GPIO (Configurable IO input/output)
4	Line1+	Opto-isolated output
5	Line0/1-	Opto-isolated ground
6	Line2-	Camera power ground



Mstar Technologies, Inc.

4/F, Building 19, No. 998 Wenyi West Road, YuHang
District Hangzhou Zhejiang 311121 China

Tel: 86-571-26280523

E-Mail: fangjl@hc-vision.cn