

CZ610-A

Explosion Proof Integrated PTZ Camera



CZ610-A

Features




- Stainless steel 304 or 316L
- Surface optional electro-polished or painting
- ATEX, IECEx Approved;
- Applicable for Gas Zone 1, Zone 2,
(Class II A, IIB, IIC, T1-T6 group)
Dust Zone 21, 22.
- Certified standards IEC/EN60079 (2014)
- Weather Proof IP68(1.2m/45min)
- Support Wide voltage: AC100-240V or AC24V
- Infrared lights, intelligent day/night vision
- Strong tempered glass, fit for hydrofluoric acid area
- Intelligent window defroster design
- Auto temperature adjust kit for aggressive area
- High precision wiper, support user-defined
- Auto temperature adjust kit for aggressive area
- Symmetrical balancing design
- Intelligent long focal speed limit, fit for long distance monitoring



Application Scenario

It is Applicable to combustible gases and dust mixture places ,
 such as petroleum, chemical industry, mine, military industry, medicine
 Oil depots, ships, drilling platforms, gas stations, fireworks production, grain processing and storage, etc.

Certificate

ATEX Certificate Mark	  II2G Ex db op is IIC T6 Gb,  II2D Ex tb op is IIC T80 °C Db
Certificate	Presafe 17 ATEX 11328X, IECEx PRE 18.0030X
Standards	IEC/EN60079

DAY & NIGHT NETWORK ZOOM CAMERA

Image Device	1/2.8" Progressive Scan CMOS	
Effective Pixels /Resolution	50HZ:25fps(1920x1080) 60HZ:30fps(1920x1080) 50HZ:25fps(1280x720) 60HZ:30fps(1280x720)	
Optical zoom	20X ,4.7-94mm	30X, 4.5-135mm
Digital Zoom	12X	
Aperture Range	F1.6-F3.5	F1.6-F4.4
Angle of view	61.4-29 degree (wide -tele)	65.1-2.34 degree (wide -tele)
Min. Working distance	10mm-1500mm(wide-tele)	
Zoom speed	Approx 3s (optical, wide-tele)	
Day&night	ICR	
Focus mode	Auto/manual/one touch	
Day&night mode	Auto/color/BW	
Shutter Time	1/1sec-1/30,000 s	
White balance	Auto 1/Auto 2/Indoor/Outdoor/Manual/Sodium Lamp/Fluorescent Lamp	
BLC	ON/OFF	
Exposure compensation	10 levels adjustable	
Gain	16 levels adjustable	
Gain limitation	16 levels adjustable	
DNR	3D DNR	
mirror	support	
Digital WDR	ON/OFF, 15 levels adjustable	
Imaging setting	Saturation, brightness, contrast, sharpness adjustable	
Video compression	H.264 main profile/MJPEG	
Video bit rate	32kbps-16mbps	

Audio compression	G.722.1/G.711-a law/G.711-u law/MP2L2/G.726
Imaging setting	Zoom camera module function can be adjustable by client software ore web browser
alarm	Motion detection, tampering alarm, storage full, storage exception
protocol	TCP/IP, HTTP, DHCP, DDNS, RTP, RTSP, PPPoE, SMTP, NTP, UPnP, SNMP, FTP, 802.1*, QoS, HTTPS, IPv6(SIP, SRTP optional)
standard	ONVIF, PSIA, CGI, ISAPI
Communication interface	1 RJ45 10M/100M self-adaptive Ethernet interface, 1 RS-485.
Video output	Dual core 1Vp-p Composite Output (75Ω)
Lens value	Distance: 10mm-1500mm(Wide-Tele) Angle: 58.3-3.2 degree(Wide-Tele)
S/N ratio	More than 52dB
Minimum illumination	Color: 0.05Lux @ (F1.6, AGC ON) B/W: 0.01Lux @ (F1.6, AGC ON)

Mechanical

Housing	Stainless steel 304 or 316L
Surface	Optional electro-polish or painting or mirror polishing
Ingress protection	IP68 (1.2m/ 45min)
Cable thread hole	M25×1.5 (or M27*1.25)

Electrical

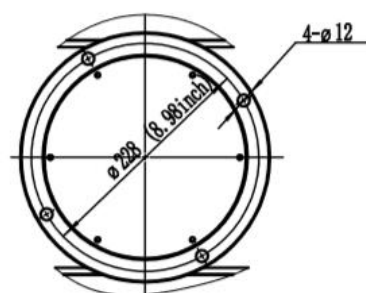
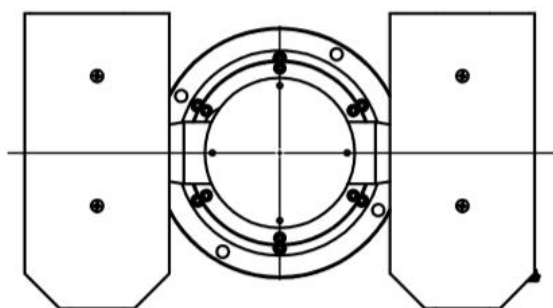
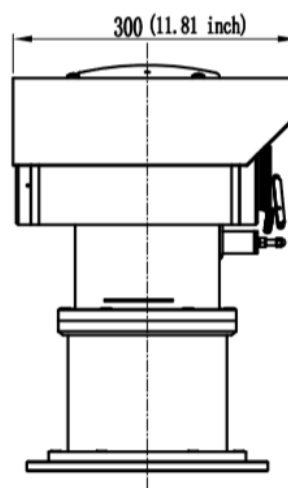
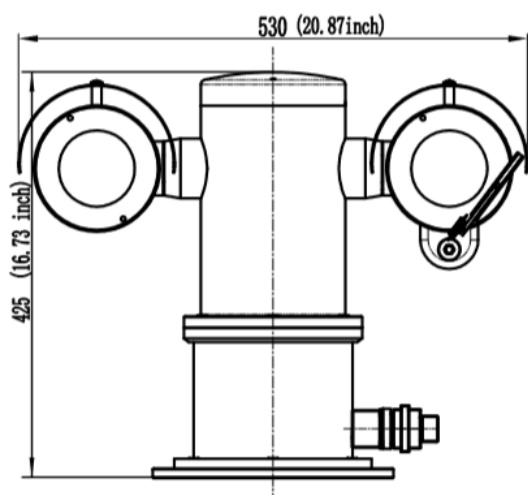
Voltage	AC100V ~ AC240V or AC24V
Power	50W/70W (with thermostat) , Current: Max 3.0A
Surge Protect	Optional, TVS6000V surge protect
Optical Fiber output	Optional, multimode or single mode
Optical Video signal	1-way video output
Optional network signal	RJ45
Optical Audio	1-way input, 1-way output
Optical Alarm	2-way alarm input, 1-way alarm output
Address code:	0/1
Night vision lights	200m distance

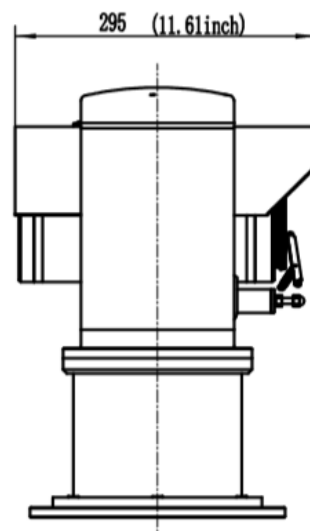
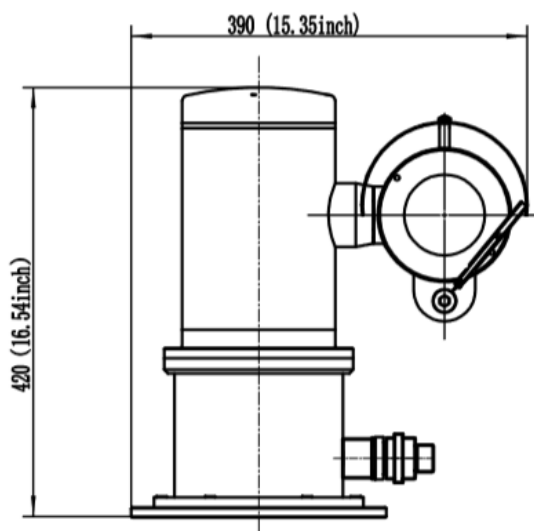
Trail cable	2m integrated cable
Ambient	
Ambient temperature	-40°C ~ +60°C
Air pressure	80Kpa to 110Kpa
Relative Humidity	≤95% (no condensation)
Communication	
Communication type	RS485
Protocol	Pelco-D, Pelco-P
Communicate Rate	2400~19200bps adjustable
485 Communication	Support
Pan & Tilt	
Horizontal	360°
Horizontal speed	0.1-45°/s
Vertical	-90 to +90°
Cruise Scan	Support
Keep watch	Support
Preset	64/128/255/300
Resume function	Support
Auto Cruise	Support
Auto Scan	Support
Alarm	
Alarm Input	2-channel/ 7-channel

Alarm Output	1-channel, action with alarm
Intelligent Alarm	Audio detective, move detective, video shield, network interrupt, IP address conflict, storage full, storage error, illegal
Audio	
Audio Input	Audio input (LINE input, MIC input), audio peak:2-2.4Vp-p, output impedance: 1KΩ+10%
Audio Output	Line-level impedance 600Ω
Network	
Network Interface	1pcs of RJ45, support 10M/100M/1000M
Video Compression	H.264 main profile / MJPEG
Audio Compression	G.722.1/ G.711-a law/ G7.11-u law/MP2L2/G.726
Voice Intercom	Support
Stream	Support three streams
Internet Protocol	IPv4/IPv6,HTTP,HTTPS,802.1x,Qos,FTP,SMTP,UPnP,SNMP ,DNS,DDNS,NTP,RTSP,RTP,TCP,UDP,IGMP,ICMP,DHCP,PP PoE
Time Display	Support
Standard	ONVIF, CGI, GB/T28181, PISA
IE browser	Support IE7 or above, Google, Firefox, Apple
Security	Password protection, Multiple access control
General	
Size	530*300*425mm
Net Weight	40kg
Mounted	wall, pole

Wall bracket	CZ6XXB
Ex Junction Box	ZA-JXD4
Ex Optical Box	CZ300
Ex Flexible tube	ZANXG
Ex Gland	ZAEX02

Dimension





Relatives



ZA-JXD4 Ex Junction box



CZ300 ATEX optical Box



CZ6XXB wall bracket



ZANXG Flexible tube



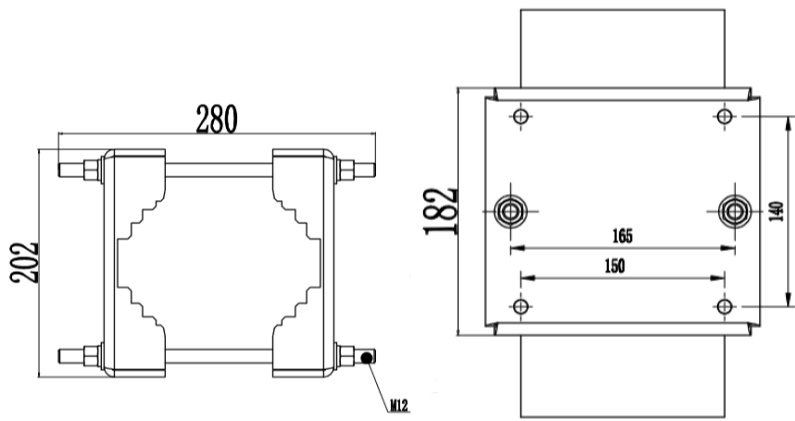
ZAEX02 ATEX glands



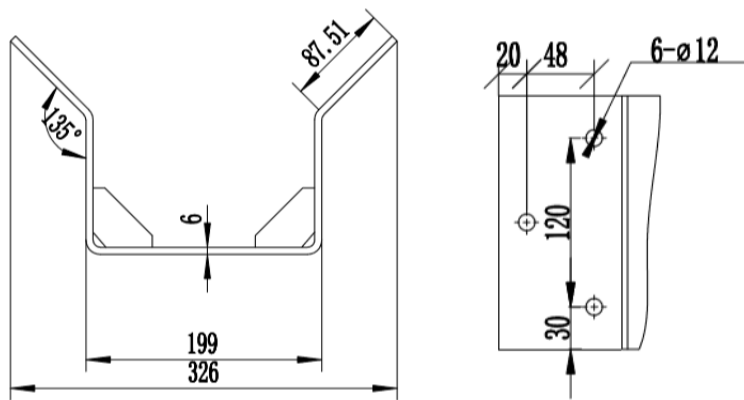
ZAZ6XX-CW corner bracket



ZAZ6XX-PMB Pole mount



ZAZ6XX-PMB Pole mounted bracket



ZAZ6XX-CW Corner mounted bracket