



Functional Specifications:

RFID Protocol:	EPC Class1 Gen2, ISO18000-6C
Frequency:	(US) 902-928MHz, (EU) 865-868MHz
IC type:	NXP UCODE 8
Memory:	EPC 128 bits, USER 0 bits, TID 96 bits
Write Cycles:	100,000 times
Functionality:	Read/write
Data Retention:	50 Years
Applicable Surface:	Metal Surfaces
Read Range : (Fix Reader)	6.5m, (US) 902-928MHz, On Metal; 6.0m, (EU) 865-868MHz, On Metal;
Read Range : (Handheld Reader)	3.5m, (US) 902-928MHz, On Metal; 3.0m, (EU) 865-868MHz, On Metal.
Warranty:	250°C, 1 Year 260°C, 6 month

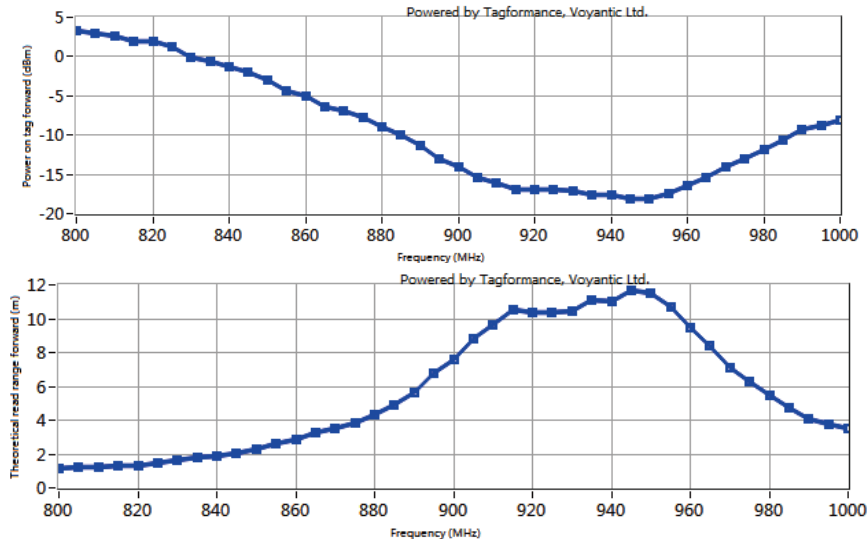
Physical Specification:

Size:	41.0x29.0mm, Hole: D2.3mmx4
Thickness:	11.8mm
Material:	PEEK
Colour:	Black
Mounting Methods:	Screw - Socket head cap screw(M2)
Weight:	19.0g

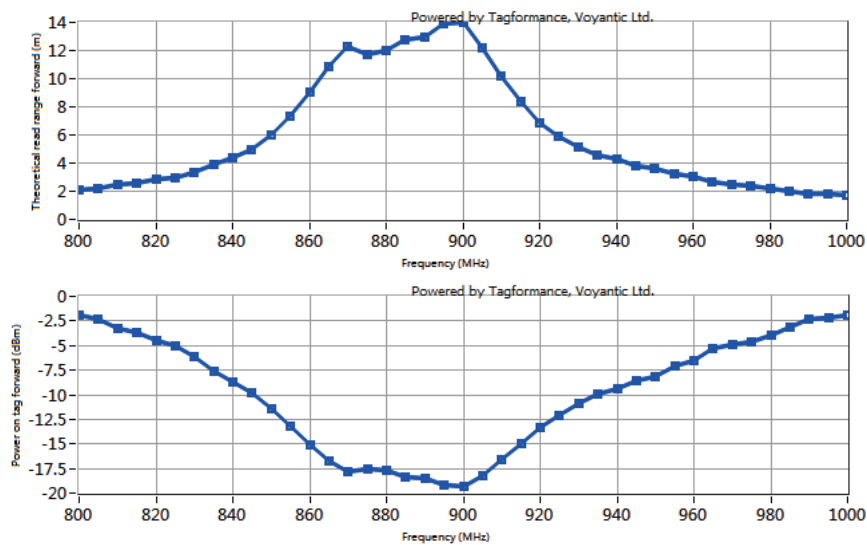
Focus on RFID Industrial Tag

RT-3002

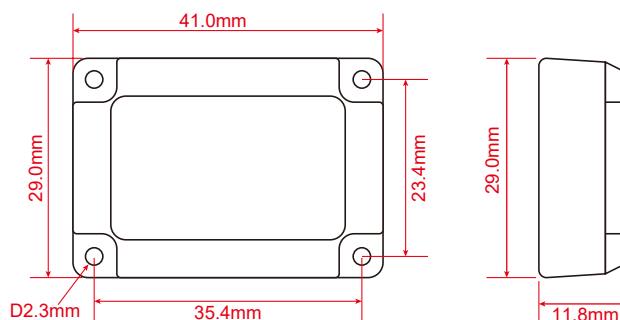
RT-3002 U1:



RT-3002 E1:



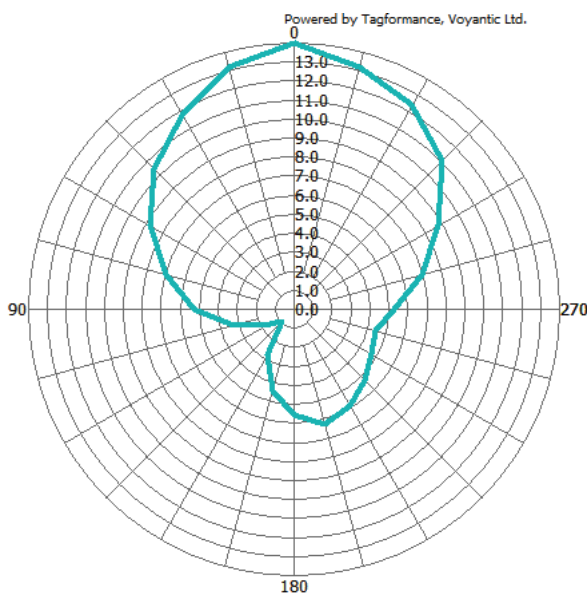
Dimensions:



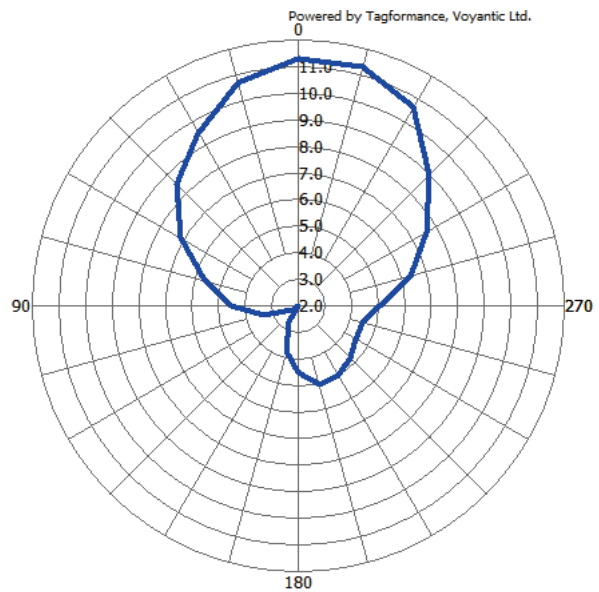
Environmental Specification:

IP Rating:	IP68, IP69K
Withstand PH:	PH0 to PH14, and all other liquid that PEEK can handle with.
Storage Temperature:	-60°C to +250°C
Operation Temperature:	-40°C to +150°C
Reliability testing terms and results:	<ul style="list-style-type: none"> a. Withstand 280°C for 1000 hours continuously without damage. b. Withstand 260°C for 2000 hours continuously without damage. c. Withstand -20°C for 8 hours then 260°C for 16 hours per day, 80 days continuously without damage. d. Withstand from 150°C to -40°C, 7.5 cycles per day, 80 days continuously with total 600 cycles without damage. e. Withstand 260°C for 100 hours continuously then soaking in 2 meters depth water for 48 hours, without seepage or damage.
Compression strength:	150Mpa
Certifications:	Reach Approved, RoHS Approved, CE Approved.

Radiation pattern:



US(902-928MHZ),On Metal



EU (865-868MHZ),On Metal