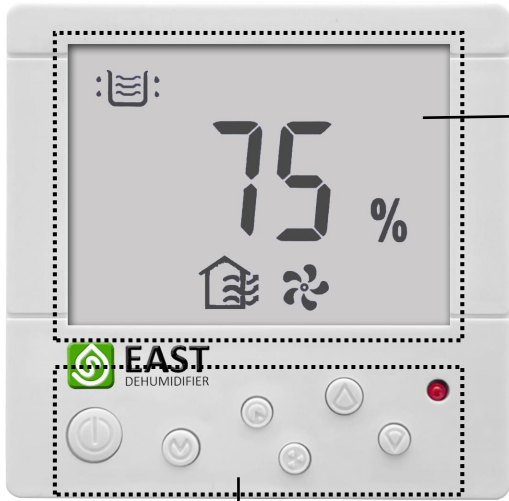




General Overview

DHD100 digital control is designed to complement the E-series dehumidifiers with simplicity and precision. Cancelled the unnecessary complexities to grow room needs. With a 24V power supply, it not only works seamlessly with EAST E-series models but also controls popular brands dehumidifiers on the market.

Operation Guide



Dehumidifying Icon

- Light on when the unit is dehumidifying
- Blinking when the unit is compressor protecting



Ventilation Icon

- Light on when the unit is in ventilation mode



Fan Icon

- Light on when the fan is working



Humidity Icon

- Light on showing the humidity of room
- Blinking when setting the target humidity



Power: press once to start the unit, press again to stop the unit



Mode: press to switch dehumidifying & ventilation mode



Value up: press once in setting mode to add 1% of target humidity



Value down: press once in setting mode to minus 1% of target humidity



Setting: press once to set the target humidity

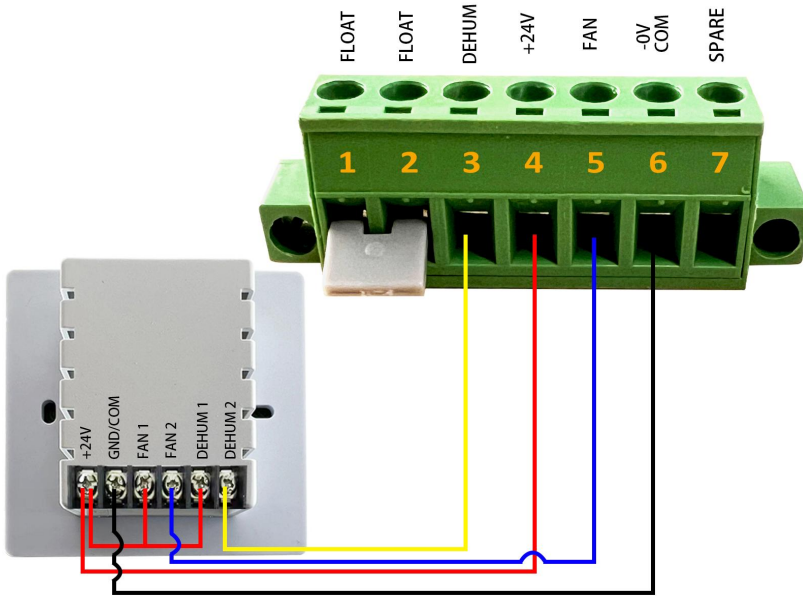


Fan speed: not available on constant speed fan unit



Power light: light on when the unit is working

Installation Guide



Connecting the DHD100 digital control to the plug using a 4-core cable as the circuit diagram shows.

Each unit comes equipped with a pre-assembled cable connecting the digital control to the plug. Simply insert the plug into the dehumidifier to operate the device.