

DEHUMIDIFIER

SDD-720L

INSTRUCTION MANUAL



DIRECTORY

SAFTY INSTRUCTIONS -----	1
SPECIFICATIONS -----	2
UNPACKING THE DEHUMIDIFIER -----	3
INSTALLATION GUIDE -----	4
OPERATION GUIDE -----	6
STRUCTURE AND RUNNING -----	7
OVERALL PARTS -----	8
NORMAL MALFUNCTION REMOVAL -----	9

SAFTY INSTRUCTIONS

WARNING

1. 208-240, 380-460 volts may cause serious injury from electric shock. Disconnect electrical power before starting installation or servicing. Leave power disconnected until installation/service is completed.
2. Don't roll or damage the power cord when install or move the machine
3. Don't put finger or any other rod like object into the machine

CAUTION

1. Do not tilt the machine more than 45 ° in moving or installation to avoid damage to the compressor.
2. Working temperature scope of the machine is 5 °C ~ 38 °C.
3. The room temperature will go up around 3 °C from compressor heat dissipation when dehumidifier running, it's normal phenomenon, please feel free to use.
4. It's not necessary to use dehumidifier when the room temperature is below 10 °C, the absolute humidity is quite low at this condition.
5. Please try to seal environment better to increase the effect of dehumidifier.
6. Do not place the machine in the area which may come into contact with water or chemical.
7. Do not use any relay, extension line or adapter to connect the power of machine.
8. Do not place the machine next to the stove, heater and other equipment will dissipate heat, and area with direct sunlight or wind and rain.
9. Do place the plug stably and clean the dust on power line.
10. Do not damage or modify the power line, do not repair by yourself and disassemble or modify the machine.
11. Do place the drainage tube smoothly for continuously drain.
12. Shutdown the equipment and cut power when in malfunction.

SPECIFICATIONS

ENVIRONMENTAL	
Operating Temperature Range	40° F – 100° F
Operating Humidity Range	RH40% - RH95%
MECHANICAL	
Weight	728 lbs (without packaging)
Drain Size	5/8"
Capacity	1520 Pints @ 86° F, 80% RH
Airflow	6470 CFM (free flow)
ELECTRICAL	
Voltage	380/460V VAC ~, 3ø, 60 HZ
Operating Current	26.0A @ 86° F, 80% RH
Efficiency	3.4 L/kW-hr (7.0pints/kW-hr) @ 86° F, 80% RH

UNPACKING THE DEHUMIDIFIER

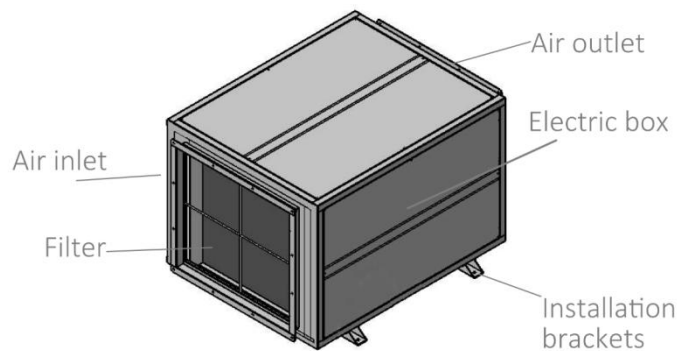
Unpack the outer wooden case, and remove the protection film to take out the dehumidifier for installation.

STRUCTURE AND RUNNING

WHAT'S IN THE CASE

Dehumidifier/Drain tube / Filter /Instruction manual

Power cord /Technical label



Automatic defrost protection function

The dehumidifier will defrost automatically when freezing occurs. The dehumidifier will start automatically when defrost process is complete. Default defrost setting occurs when ambient temperature is under 18°C

Compressor delay start protection function

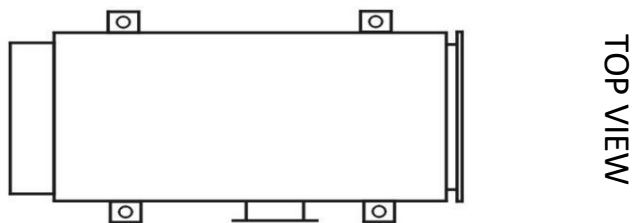
Manual restart of system within 3 minutes of shutdown, the compressor will start up within 3 minutes of delay protection.

INSTALLATION GUIDE

PREPARING BEFORE INSTALLATION

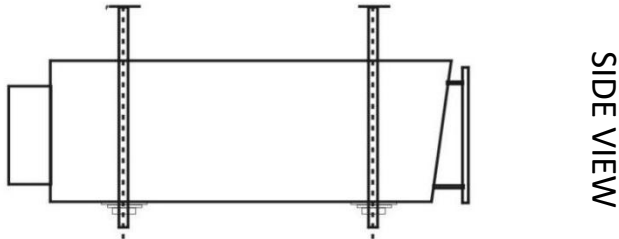
- A. Cut off all the electrical to ensure the safety
- B. Make sure the power and drain tunnel
- C. Prepare necessary tools like screwdriver, thread rod, spanner etc.

START INSTALLATION



TOP VIEW

- A. Drill four fixing holes on the ceiling according to the position of install hole on the machine, then install the expansion screw to fix the thread rod.



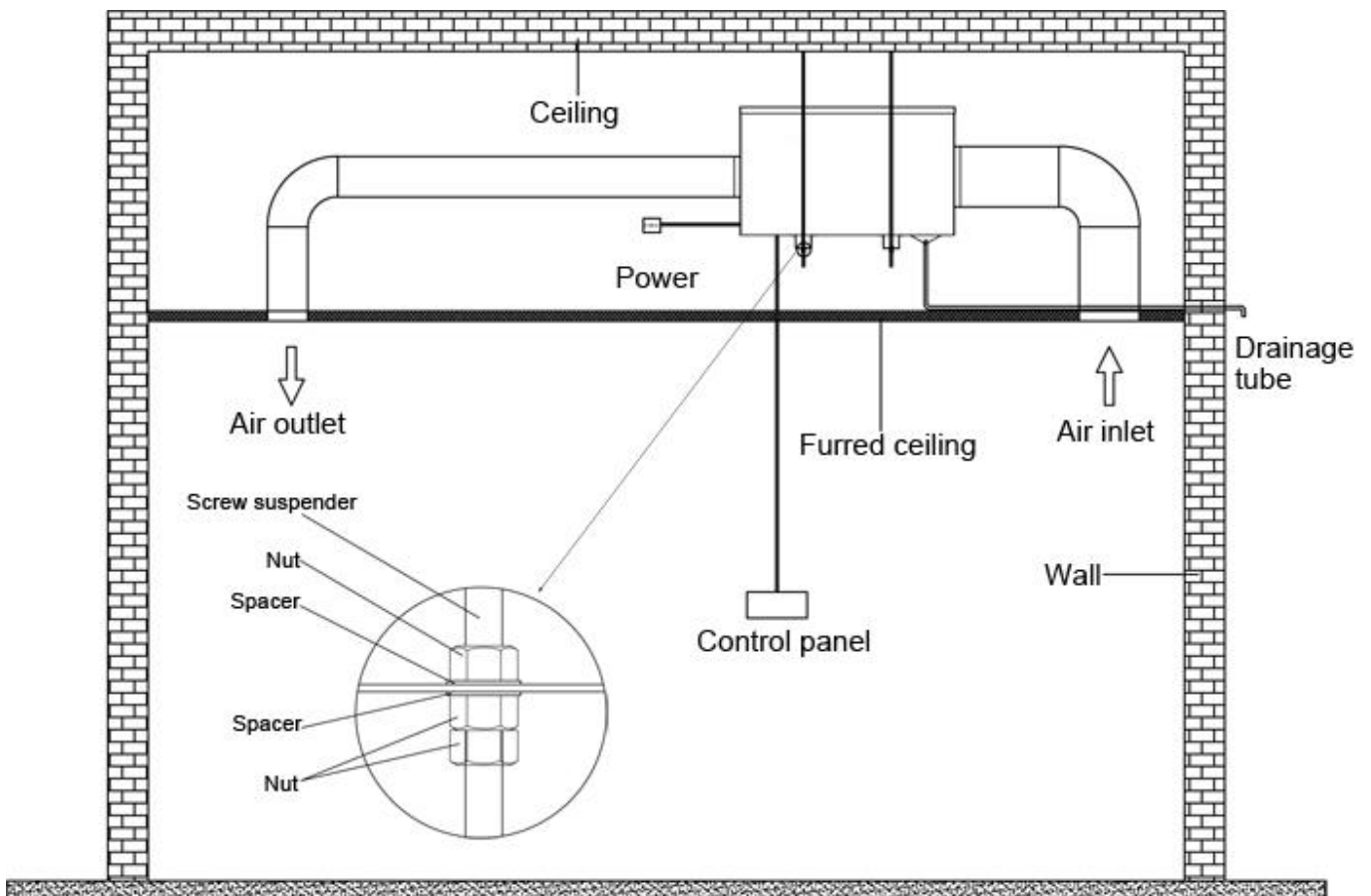
SIDE VIEW

- B. Install the machine through the four thread rods, and adjust the height according the space to ensure the machine on horizontal level.
- C. Connect the drain tube to make sure no leakage, no block for the drainage.

Connect the power, please make sure the power supply is 208~240v/60hz and have overload protection.

CAUTION IN INSTALLATION

1. Ensure necessary safety measures to avoid incident, **electrical must be shut off during the installation process.**
2. Use the strength four thread rods with corresponding screws to fix the dehumidifier on the ceiling.
3. Ensure the installation of dehumidifier is horizontal to avoid malfunction or leakage.
4. Ensure drain tube is installed unhindered without overmuch bends.
5. Ensure dehumidifier is installed within space with proper air circulation for air inlet and air outlet, it is prohibited to install at corner or space with obstructions what block the inlet or outlet.



OPERATION GUIDE

Connect power controller to the terminal on the machine, then connect the power cord with power supply and make sure it is 208-240v single phase 60hz. Turn power supply on to start the machine.

DAILY MAINTENANCE

1. Do shut down the power supply before maintenance.
2. Wipe the body with soft cloth in daily use. Use a wet hard cloth to wipe dirty body, or use a soft cloth moistened with a little diluted neutral detergent.
3. Filter Cleaning: it will affect the dehumidifying effect or cause malfunction if accumulate dust on filter , it needs to be cleaned regularly, clean it at least once a month. Use dust catcher to remove dust or put filter into clean water (<40 °C) to wash, then place filter back after cleaning.

NOTE: The filter cannot be put in sunlight directly or roasted to avoid distortion. The filter must be placed before power up machine.

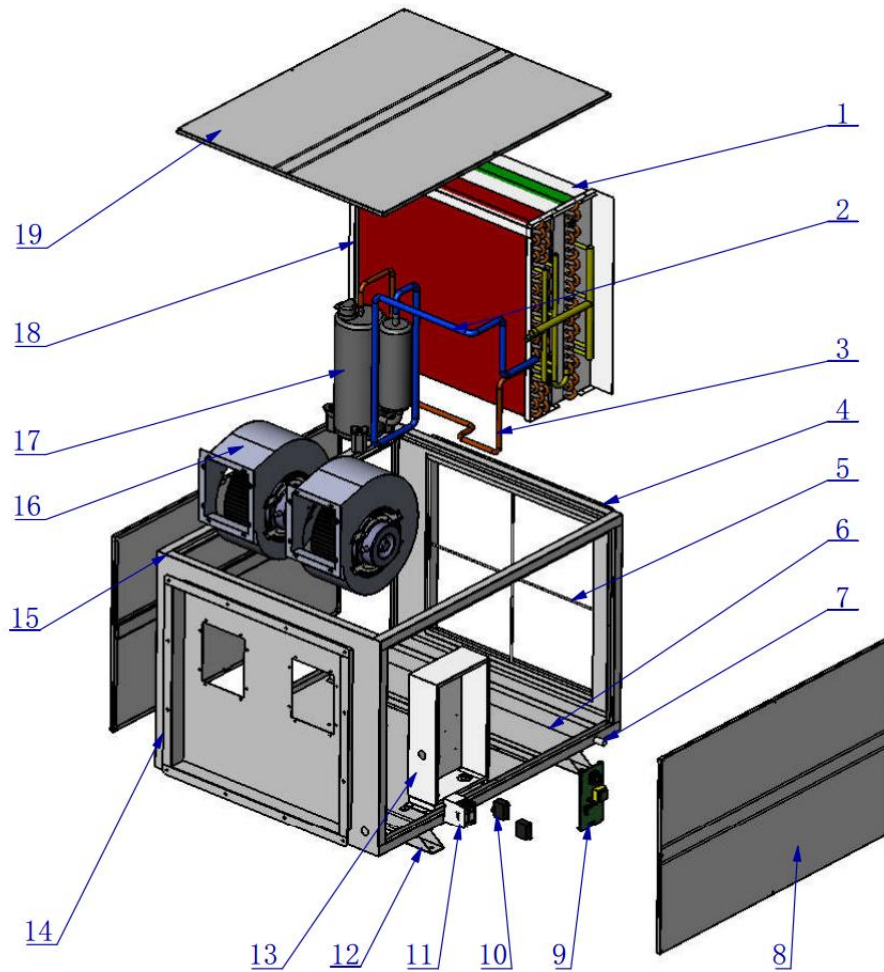
4. Non use of equipment :Cut the power or unplug power line. Place equipment in dry and shaded area.



OPERATION GUIDE

1. The screen turn on and display ambient humidity when power on the dehumidifier
2. Press “Power on/off” button to start the dehumidifier
3. In the dehumidifying mode
Press “Setting” once to set target RH%.
Press “Setting” twice to set timed off hours.
Press “Setting” thrice to set timed off minutes.
Press “Setting” quartic to set timed on hours.
Press “Setting” five times to set timed on minutes.
Press “Setting” six times to set clock hours.
Press “Setting” seven times to set set color minutes.
After pressing “setting”, press the “+” and “-” to set the target humidity or hours or minutes.
4. “Humi +” Press the key to set the humidity value up with 1%RH scale in running mode. Press the key to set the hour or minute down with 1 hour or 1 minute scale in timed on/off or clock setting mode.
5. “Humi -” Press the key to set the humidity value down with 1%RH scale in running mode. Press the key to set the hour or minute down with 1 hour or 1 minute scale in timed on/off or clock setting mode.
6. “Humidity display” Current ambient humidity display when in standby / dehumidifying mode. Blinking when at humidity setting mode.
7. “Guiding light” Blinking when the machine running.
8. “Defrosting indicator light” Blinking when the machine is automatic defrosting
9. “Timed on/off and clock display” Blinking when in timed on/off or clock setting mode
10. “Dehumidifying mode” Light on when dehumidifying mode and Blinking when in the 3 minutes delay protection mode.

OVERALL PARTS



No.	Parts description	No.	Parts description
1	Heat exchanger cover	11	AC contactor
2	Low pressure pipe	12	Base bracket
3	High pressure pipe	13	Electrical box
4	Air inlet flange	14	Air outlet flange
5	Filter	15	Base frame accessories
6	Drainage accessories	16	Centrifugal fan
7	Drainage	17	Compressor
8	Side plate	18	Heat exchanger
9	Main control board	19	Top plate
10	capacitor		

NORMA MALFUNCTION REMOVAL

MALFUNCTIONS	ANALYZE	REMOVAL
DEHUMIDIFIER IS NOT WORKING	<ol style="list-style-type: none"> 1. POWER FAILURE 2. POWER OFF 3. POWER IS NOT PLUG IN 4. BLOWN FUSE 	<ol style="list-style-type: none"> 1. RESUME POWER 2. POWER ON 3. PLUG IN 4. REPLACE FUSE
BAD DEHUMIDIFICATION EFFECT	<ol style="list-style-type: none"> 1. FILTER BLOCKED WITH DUST 2. AIR INLET IS BLOCKED 3. USED IN BAD SEALED ROOM 4. LESS REFRIGERANT 	<ol style="list-style-type: none"> 1. WASH FILTER 2. REMOVE BLOCK 3. CLOSE DOOR AND WINDOW 4. FILL REFRIGERANT OR CONTACT WITH MANUFACTURER
LEAKAGE	<ol style="list-style-type: none"> 1. MACHINE IS NOT HORIZONTAL 2. DRAIN TUBE IS BLOCKED 	<ol style="list-style-type: none"> 1. PLACE THE MACHINE HORIZONTAL 2. WASH OR CHANGE THE TUBE
NOISE	<ol style="list-style-type: none"> 1. MACHINE IS NOT INSTALLED STABLE 2. FILTER BLOCKED 	<ol style="list-style-type: none"> 1. PLACE THE MACHINE STABLE 2. WASH THE FILTER

REMARKS

1. Please contact manufacturer or agent to maintain the malfunction that cannot be confirmed and removed, don't disassemble the machine by yourself
2. It will produce noise when the dehumidifier power on or power off, it's normal.
3. It will produce heat wind at the air outlet, it's normal



EAST dehumidifier manufacturer

Room 1603-1604, Yifeng Times Mansion, Hangzhou, China 311113

Phone: +8613685770742

WhatsApp: +8613685770742

Skype: tiger19840517

<https://www.eastdehumidifier.com>