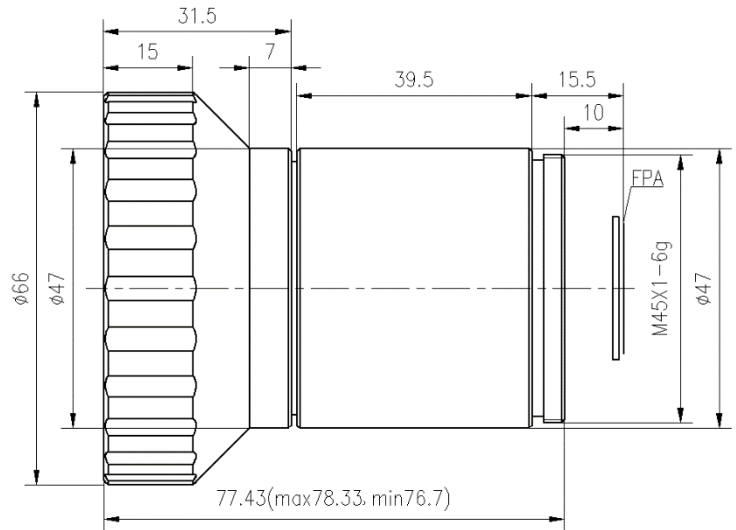


GLA1510KD 15mm f/1.0 Optical Athermalized Infrared Lens



HFOV	160x120	320x240	336x256	384x288	640x480	640x512	1024x768	1280x1024
25μm	15.2°	29.9°	31.3°	35.5°	56.1°	56.1°		
17μm	10.4°	20.6°	21.6°	24.6°	39.9°	39.9°	60.3°	
12μm	7.3°	14.6°	15.3°	17.5°	28.7°	28.7°	44.5°	54.2°

Optical

Focal Length	15mm
F/#	1.0
Wavelength	8-12μm
Focus Range	1m-Infinity

Mechanical

Interface	Thread
Focus Mechanism	Fixed Athermalized
Dimensions (mm)	Ø66x77.43
Weight	< 300g

Environmental

Sealing	IP67
Operating Temperature	-40°C to +60°C
Storage Temperature	-45°C to +65°C
External Coating	DLC