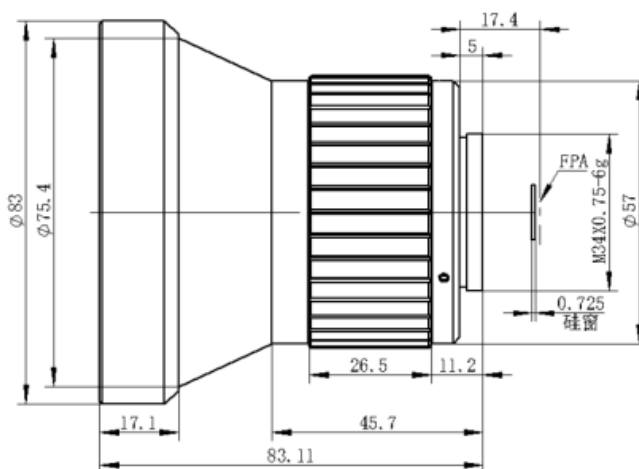


GLM7510C 75mm f/1.0 Manual Infrared Lens



HFOV	160x120	320x240	336x256	384x288	640x480	640x512
17μm	2.1 °	4.2 °	4.4 °	5.0 °	8.3 °	8.3 °
12μm	1.5 °	2.9 °	3.1 °	3.5 °	5.9 °	5.9 °

Optical

Focal Length	75mm
F/#	1.0
Wavelength	8-12μm
Focus Range	5m-Infinity
Format	Ø10

Mechanical

Interface	Thread
Focus Mechanism	Manual
Dimensions (mm)	Ø83.11x83
Weight	<368g

Environmental

Operating Temperature	-40°C to +60°C
Storage Temperature	-45°C to +65°C
Front Element Sealing	IP67
External Coating	DLC/AR