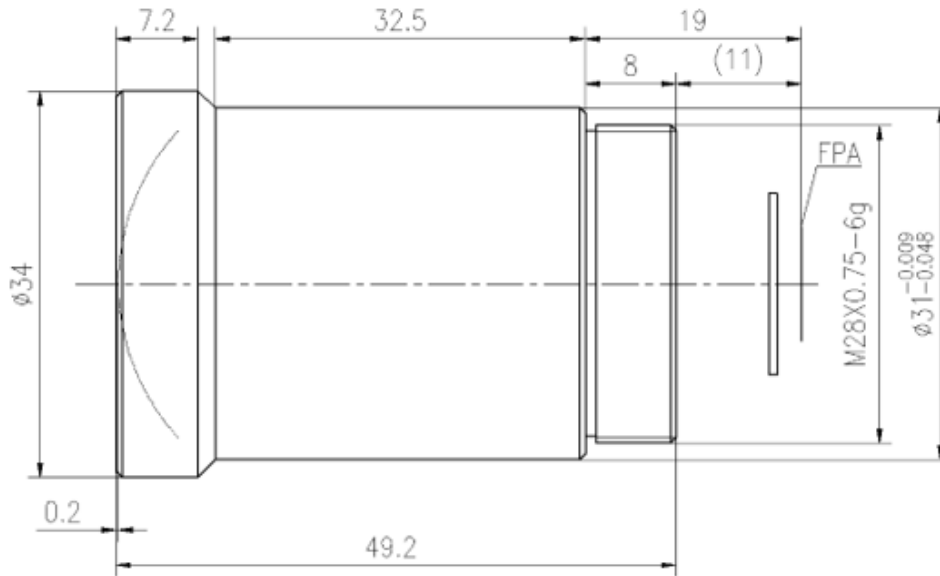


GLA07709H 7.7mm f/0.9 Athermalized Infrared Lens



HFOV	160x120	320x240	336x256	384x288	640x480	640x512
25μm	29.1 °	54.9 °	57.2 °	63.9 °		
17μm	20.0 °	38.9 °	40.7 °	45.9 °	70.5 °	70.5 °
12μm	14.2 °	28.0 °	29.3 °	33.3 °	53.0 °	55.4 °

Optical

Focal Length	7.7mm
F/#	0.9
Wavelength	8-12μm
Format	Ø10

Mechanical

Interface	Thread
Focus Mechanism	Fixed Athermalized
Dimensions (mm)	Ø34x 49.2
Weight	<80g

Environmental

Sealing	IP 67
Operating Temperature	-40°C to +80°C
Storage Temperature	-45°C to +85°C
External Coating	HD