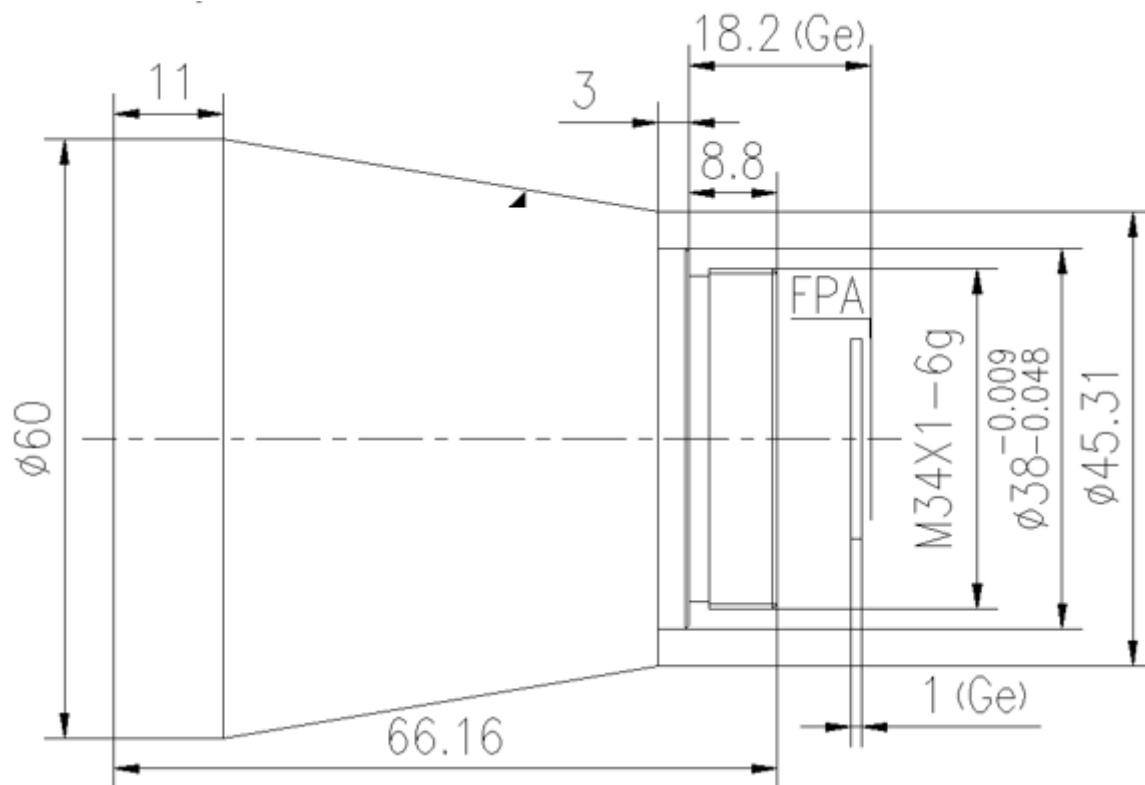


## GLA5010KH 50mm f/1.0 Athermalized Infrared Lens



HFOV	160x120	320x240	336x256	384x288	640x480	640x512	1024x768
25 $\mu$ m	4.6 °	9.1 °	9.6 °	11.0 °			
17 $\mu$ m	3.1 °	6.2 °	6.5 °	7.5 °	12.4 °	12.4 °	
12 $\mu$ m	2.2 °	4.4 °	4.6 °	5.3 °	8.8 °	8.8 °	14.0 °

### Optical

Focal Length	50mm
F/#	1.0
Wavelength	8-12 $\mu$ m
Format	$\phi 15.4$

### Mechanical

Interface	Thread
Focus Mechanism	Fixed Athermalized
Dimensions (mm)	$\phi 60 \times 66.16$
Weight	<190g

### Environmental

Sealing	IP 67
Operating Temperature	-40°C to +85°C
Storage Temperature	-60°C to +85°C
External Coating	AR/DLC/HD