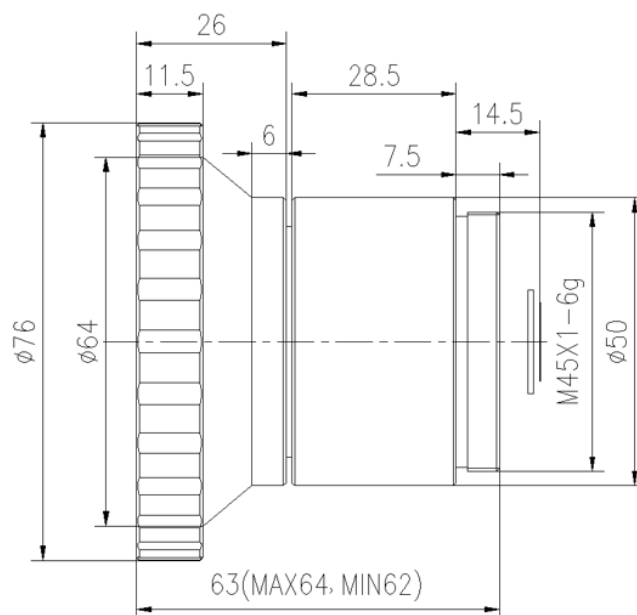


GLMO4810M2 4.8mm f/1.0 Manual Infrared Lens



HFOV	160x120	320x240	336x256	384x288	640x480	640x512
25μm				94.0°		
17μm			61.0°	68.0°	102.0°	102.0°
12μm						

Optical

Focal Length	4.8mm
F/#	1.0
Wavelength	8-12μm
Focus Range	0.2m-Infinity
Format	Ø14

Mechanical

Interface	Thread
Focus Mechanism	Manual
Dimensions (mm)	Ø76x63
Weight	≤320g

Environmental

Operating Temperature	-40°C to +60°C
Storage Temperature	-45°C to +65°C
Front Element Sealing	IP67
External Coating	AR/DLC