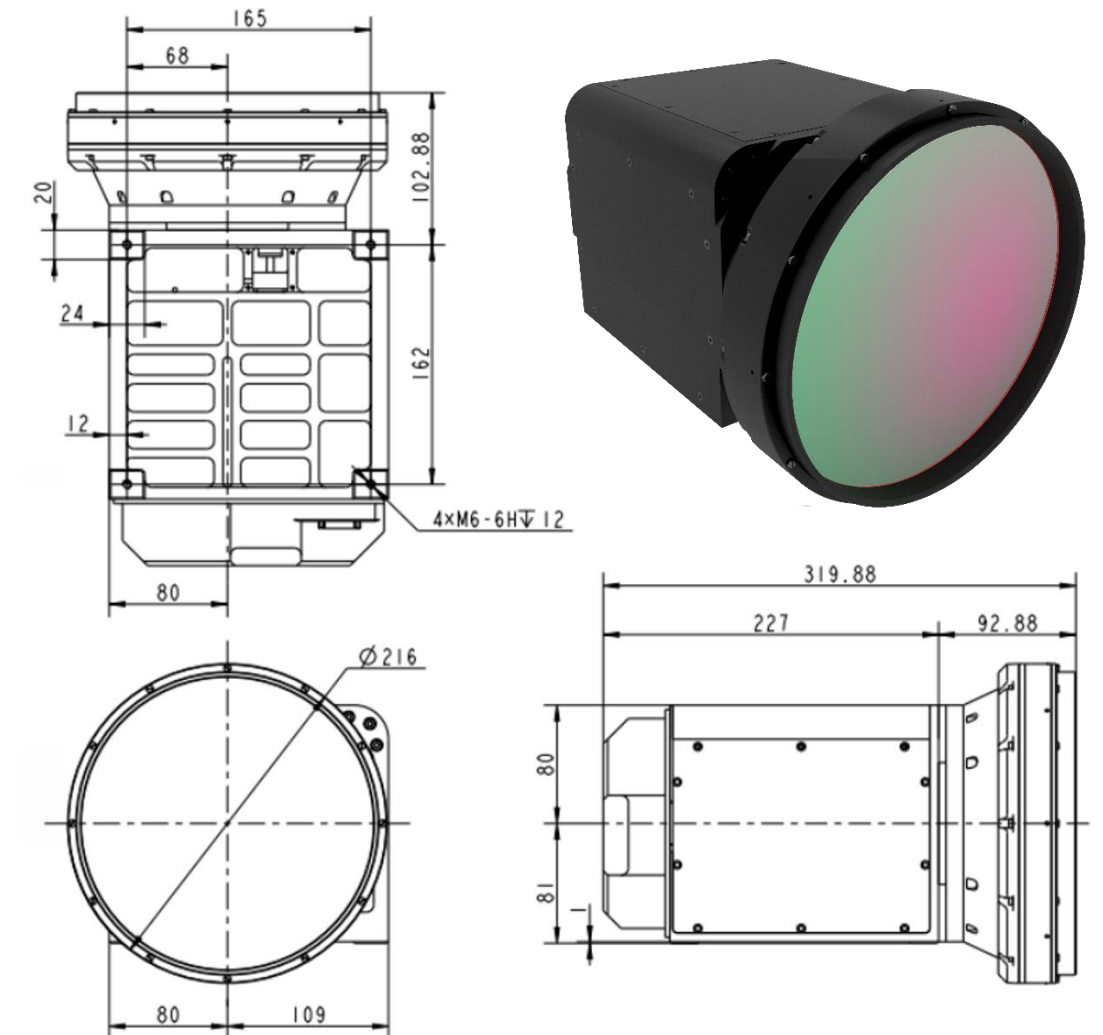


## GMZ110055U6415 36.4-1100mm f/5.5 MWIR Continuous Zoom Lens for Cooled Thermal Imaging Camera



HFOV	160x120	320x240	336x256	384x288	640x480	640x512	1024x768	1280x1024
	15μm						15°-0.5°	

### Optical

Focal Length(mm)	36.4-1100
F/#	5.5
Wavelength	3.7-4.8μm
Focus Range	50m to infinity

### Interface and Function

Camera control	RS422
Shutter Correction	Manual/Automatic
Optical Axis Tolerance	≤4Pixel

Background Correction

Yes

Polarity Control

Black Hot/White Hot

Digital Zoom

x2/x4

Cross Display

On/ Off

Cross Location/ Gain/ Brightness/ Enhancement

Adjustable

Image Flip

Vertical/Horizontal

## Physical Parameter

Weight

≤8.9Kg

Dimensions

216mm×217mm×319.88mm

## Environmental

Operating Temperature

-40°C to +60°C

Storage Temperature

-55°C to +65°C

Front Infrared Lens Sealing

IP67

External Coating

AR