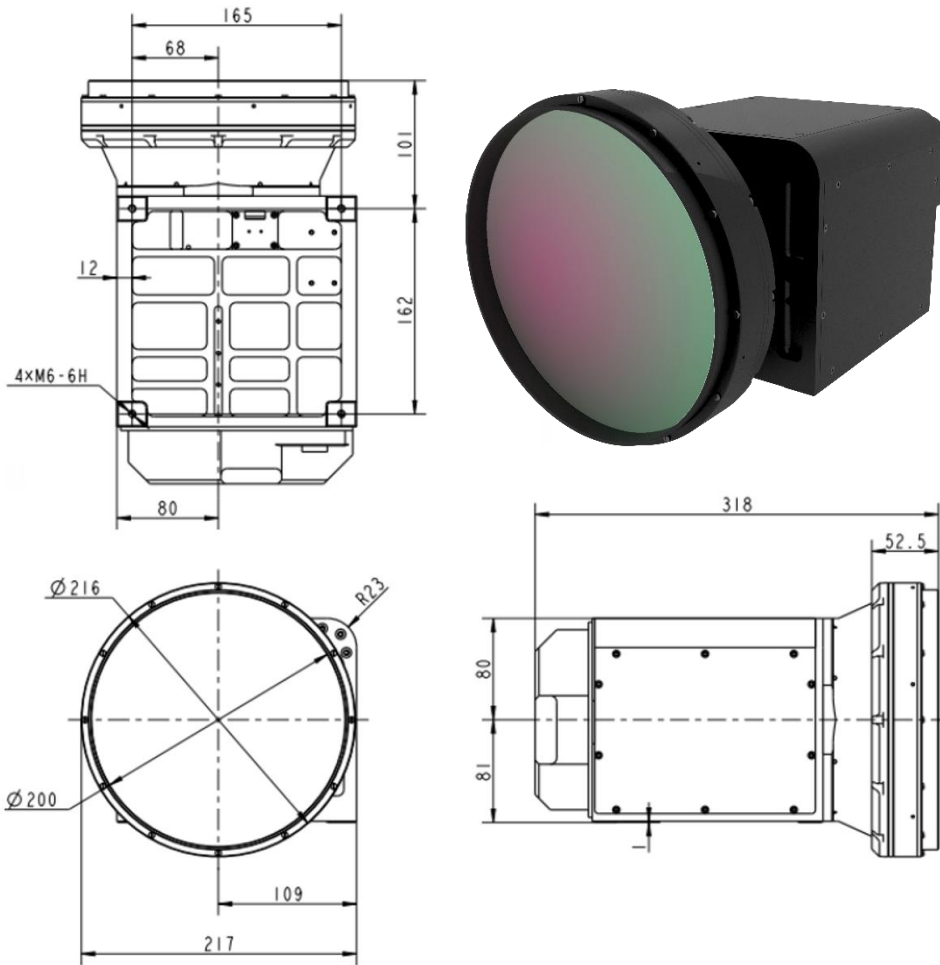


GMZ80040U6415 32-800mm f/4.0 MWIR Continuous Zoom Lens for Cooled Thermal Imaging Camera



HFOV	160x120	320x240	336x256	384x288	640x480	640x512	1024x768	1280x1024
15μm						17.79-0.69		

Optical

Focal Length(mm)	32-800
F/#	4.0
Wavelength	3.7-4.8μm
Focus Range	50m to infinity

Interface and Function

Camera control	RS422
Shutter Correction	Manual/Automatic
Optical Axis Tolerance	≤4Pixel
Background Correction	Yes

Polarity Control
Digital Zoom
Cross Display
Cross Location/ Gain/ Brightness/ Enhancement
Image Flip

Black Hot/White Hot
x2/x4
On/ Off
Adjustable
Vertical/Horizontal

Physical Parameter

Weight $\leq 8.9\text{Kg}$
Dimensions 200mmx217mmx318mm

Environmental

Operating Temperature -40°C to $+60^{\circ}\text{C}$
Storage Temperature -55°C to $+65^{\circ}\text{C}$
Front Infrared Lens Sealing IP67
External Coating AR