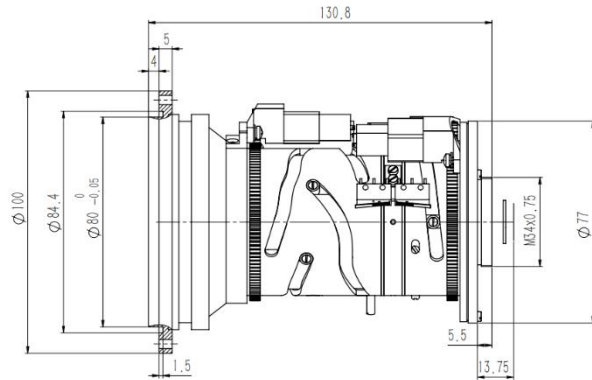


GCZ25-10516FD 25-105mm f/1.2-1.6 Continuous Zoom Infrared Lens



HFOV	160x120	320x240	336x256	384x288	640x480	640x512
25 μ m	2.2°-9.1°	4.4°-18.2°	4.6°-19.1°	5.2°-21.7°		
17 μ m	1.5°-6.2°	3°-12.4°	3.1°-13°	3.6°-14.9°	5.9°-24.6°	5.9°-24.6°
12 μ m	1°-4.4°	2.1°-8.8°	2.2°-9.2°	2.5°-10.5°	4.2°-17.5°	4.2°-17.5°

Optical

Focal Length(mm)	25-105
F/#	1.2-1.6
Average Transmission	$\geq 80\%$
Wavelength	8-12 μ m
Focus Range	3m-Infinity

Mechanical

Interface	Flange
Focus Mechanism	Motorized
Dimensions (mm)	$\varnothing 80 \times 130.8$ (Front Flange $\varnothing 100$)
Weight	680g

Electrical & Communications

Power Input	DC 12V Average
-------------	----------------

Environmental

Operating Temperature	-25°C to +60°C
Storage Temperature	-45°C to +85°C
Front Element Sealing	IP67
External Coating	DLC