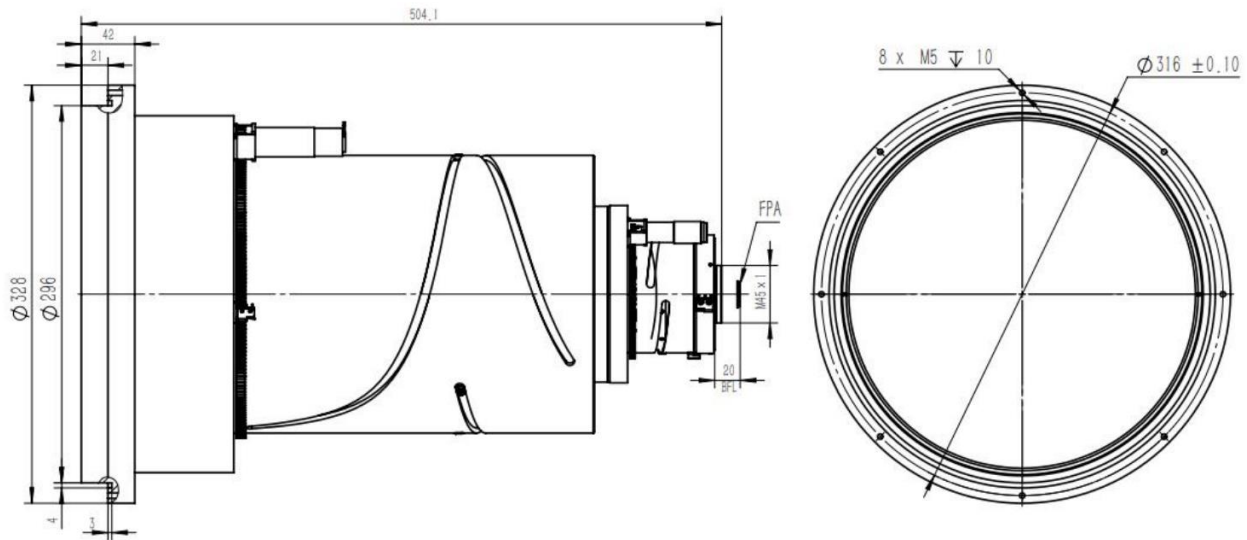


## GCZ104015KD 40-400mm f/1.5 Continuous Zoom Infrared Lens



HFOV	160x120	320x240	336x256	384x288	640x480	640x512	1024x768	1280x1024
25μm	0.6°-5.7°	1.1°-11.4°	1.2°-12°	1.4°-13.7°				
17μm	0.4°-3.9°	0.8°-7.8°	0.8°-8.2°	0.9°-9.3°	1.6°-15.5°	1.6°-15.5°	2.5°-24.6°	
12μm	0.3°-2.7°	0.6°-5.5°	0.6°-5.8°	0.7°-6.6°	1.1°-11°	1.1°-11°	1.8°-17.5°	2.2°-21.7°

### Optical

Focal Length(mm)	40-400
F/#	1.5
Average Transmission	≥80%
Wavelength	8-12μm
Focus Range	1.5m-Infinity

### Mechanical

Interface	Flange
Focus Mechanism	Motorized
Dimensions (mm)	Ø296x504.1(Front Flange Ø328)
Weight	19Kg

### Electrical & Communications

Power Input	DC 12V Average
-------------	----------------

### Environmental

Operating Temperature	-40°C to +60°C
Storage Temperature	-50°C to +70°C
Front Element Sealing	IP67
External Coating	DLC