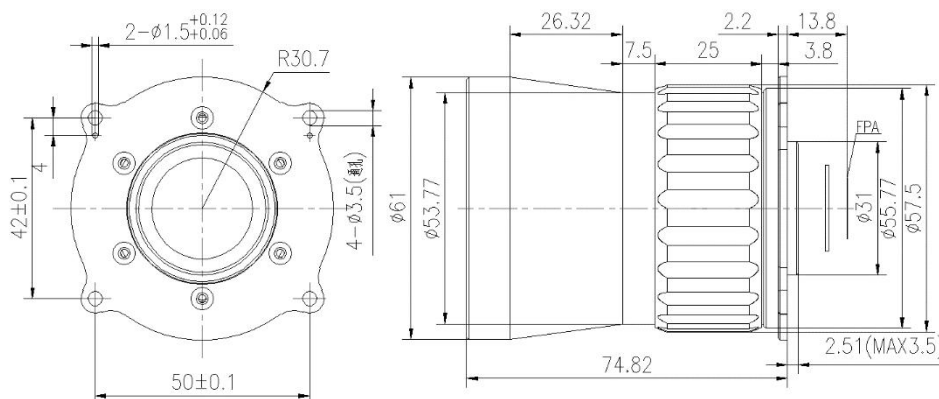


GLM6012D 60mm f/1.2 Manual Infrared Lens



| HFOV | 160x120 | 320x240 | 336x256 | 384x288 | 640x480 | 640x512 |
|------|---------|---------|---------|---------|---------|---------|
| 25μm | 3.8 ° | 7.6 ° | 8.0 ° | 9.1 ° | | |
| 17μm | 2.6 ° | 5.2 ° | 5.5 ° | 6.2 ° | 10.4 ° | 10.4 ° |
| 12μm | 1.8 ° | 3.7 ° | 3.8 ° | 4.4 ° | 7.3 ° | 7.3 ° |

Optical

| | |
|--------------|--------|
| Focal Length | 60mm |
| F/# | 1.2 |
| Wavelength | 8-12μm |
| Format | Ø14 |

Mechanical

| | |
|-----------------|-------------|
| Focus Mechanism | Manual |
| Dimensions (mm) | Ø61 × 74.82 |
| Weight | <225g |

Environmental

| | |
|-----------------------|----------------|
| Sealing | IP 67 |
| Operating Temperature | -30°C to +70°C |
| External Coating | DLC |