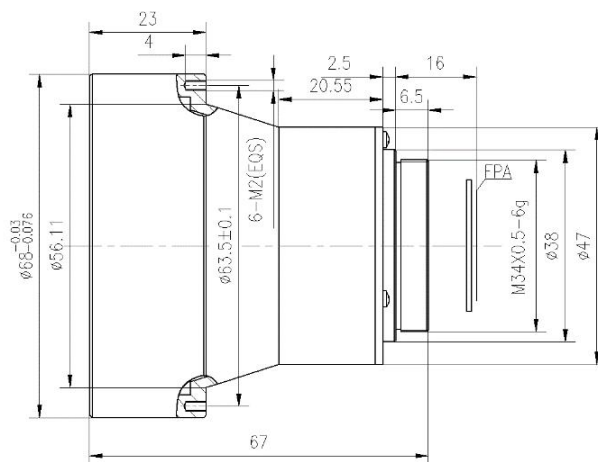
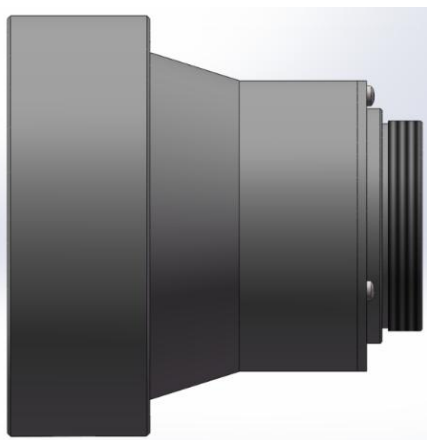


GLA6010K 60mm f/1.0 Athermalized Infrared Lens



HFOV	160x120	320x240	336x256	384x288	640x480	640x512	1024x768	1280x1024
25μm	3.8 °	7.6 °	8.0 °	9.1 °				
17μm	2.6 °	5.2 °	5.5 °	6.2 °	10.4 °	10.4 °	16.5 °	
12μm	1.8 °	3.7 °	3.8 °	4.4 °	7.3 °	7.3 °	11.7 °	14.6 °

Optical

Focal Length	60mm
F/#	1.0
Wavelength	8-12μm
Format	Ø21.8

Mechanical

Focus Mechanism	Fixed Athermalized
Dimensions (mm)	Ø68x 67
Weight	<261g

Environmental

Sealing	IP 67
Operating Temperature	-40°C to +60°C
Storage Temperature	-45°C to +65°C
External Coating	DLC/AR