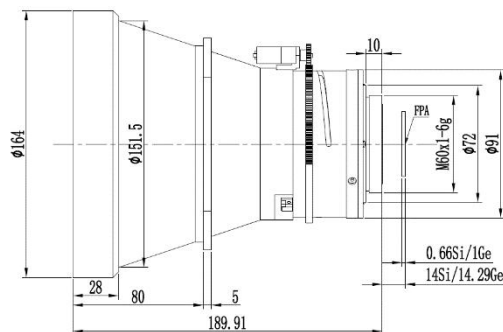
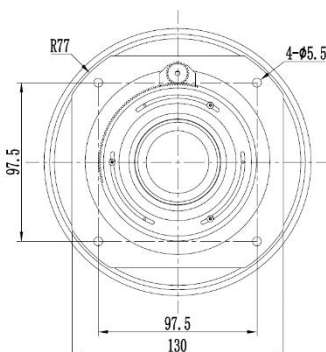


GLE150E 150mm f/1.0 Motorized Infrared Lens



HFOV	160x120	320x240	336x256	384x288	640x480	640x512
25μm	1.5 °	3.1 °	3.2 °	3.7 °		
17μm	1.0 °	2.1 °	2.2 °	2.5 °	4.2 °	4.2 °
12μm	0.7 °	1.5 °	1.5 °	1.8 °	2.9 °	2.9 °

Optical

Focal Length	150mm
F/#	1.0
Wavelength	8-12μm
Focus Range	10m -Infinity
Format	Ø14

Mechanical

Interface	Thread Flange
Focus Mechanism	Motorized
Dimensions (mm)	Ø164x189.91
Weight	1.83kg

Electrical & Communications

Power Input	DC 9V(6-12V)
Communications	NA

Environmental

Operating Temperature	-40°C to +60°C
Storage Temperature	-50°C to +80°C
Front Element Sealing	IP67
External Coating	DLC