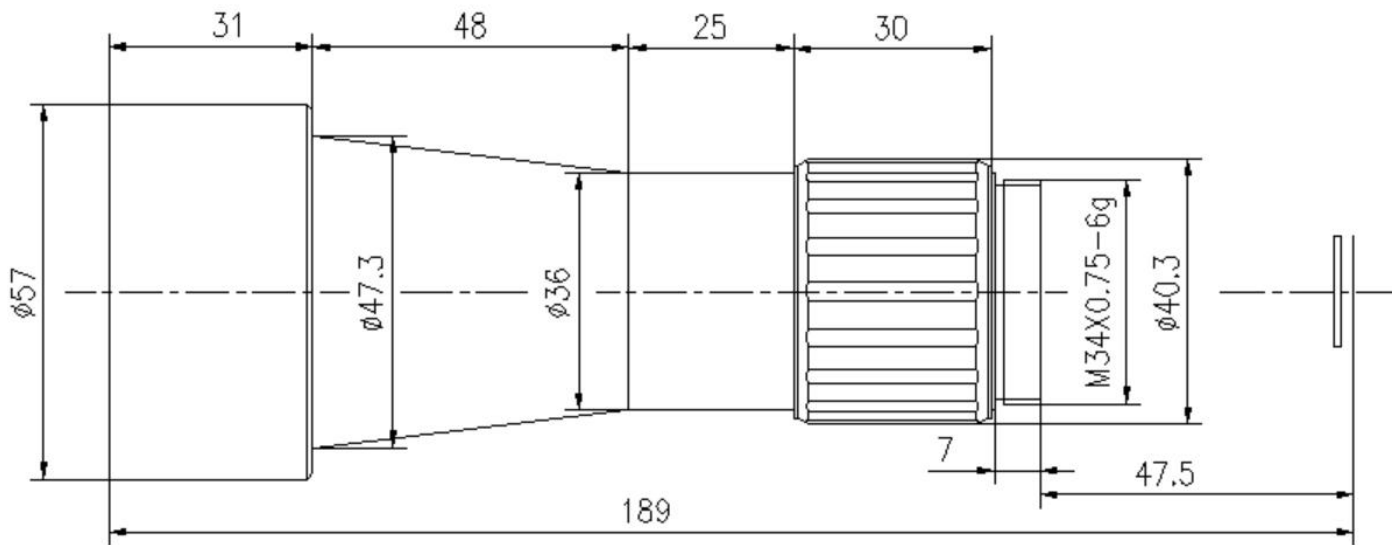


GSW30060 300mm F/6.0 SWIR Manual Continuous Zoom Infrared Lens



	640x512	1280x1024	1920x1280
12 μ m	1.5°		
10 μ m	1.2°	2.4°	
5 μ m		1.2°	1.8°

Optical

Focal Length	300mm
F/#	6.0
Wavelength	0.9-1.7 μ m
Focus Range	5m- Infinity

Mechanical

Interface	Thread
Focus Mechanism	Manual Continuous Zoom
Dimensions (mm)	$\phi 57 \times 141.5$
Weight	< 330g

Environmental

Sealing	IP 67
Operating Temperature	-40°C to +60°C
Storage Temperature	-45°C to +65°C
External Coating	AR