
Enhanced Clip on Thermal Imager Manual GCO115640



Introduction ›

The Enhanced Clip On Thermal Imager (GCO115640), is a high resolution, multi-model thermal imager designed to be used in conjunction with night vision devices (NVD) to improve situational combat awareness and threat detection in combat, patrol and sentry duty.



Features ›

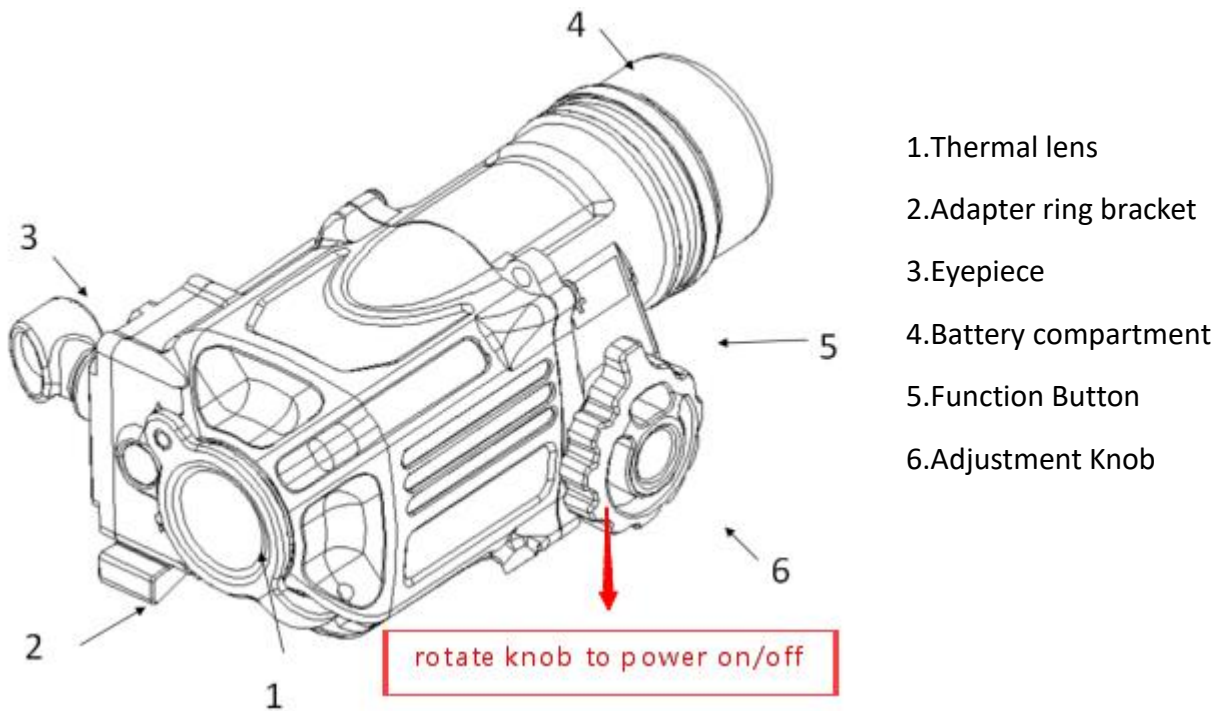
- ◇ Select from detection modes (complete thermal, outline and hybrid)
- ◇ A 640x512, 12 μm pixel sensor with 50Hz resolution provides users with a high definition, real time thermal imaging overlay.
- ◇ Mean battery life of 8hrs on 18650 or 2hrs on CR123a.
- ◇ Universally mountable on most NVD without need for extensive modification.
- ◇ External battery pack optional.
- ◇ Lightweight (3.2oz) with 30.5° FOV.
- ◇ Tough construction (Anti-Shock, IP67 water resistance, anti-corrosion).
- ◇ Helpful in spotting targets in dense foliage and low-light conditions.
- ◇ Operational range (1100m man sized target, 270m identification, 140m recognition).
- ◇ Operational temperature (-40°C - +60°C).

Included\



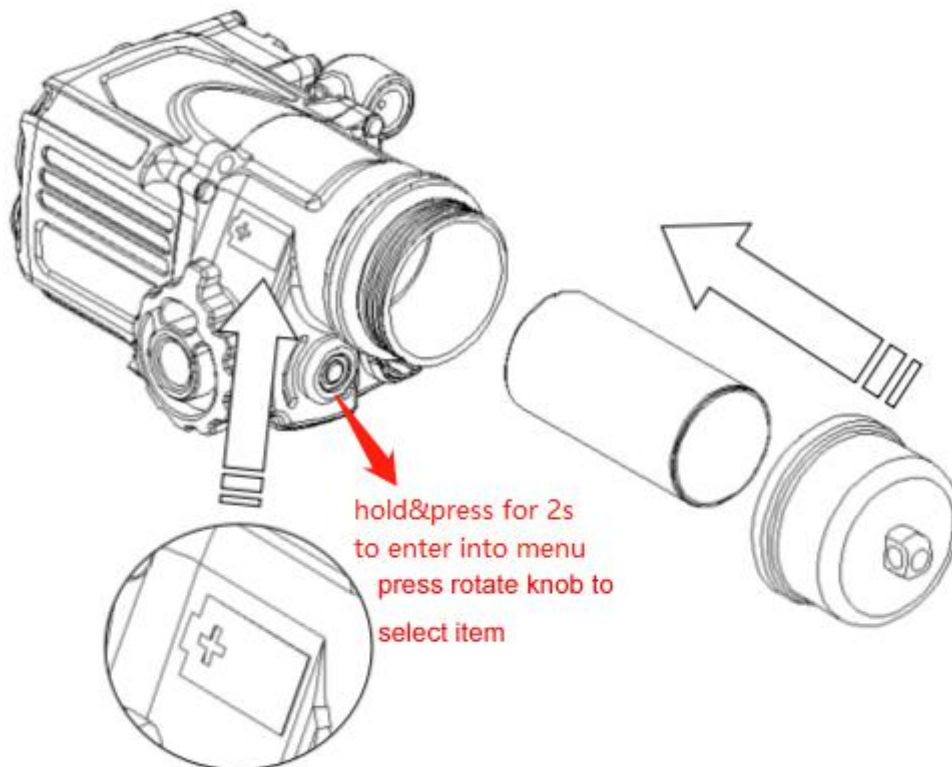
- 1.Enhanced Clip on Thermal Imager
- 2.18650 battery adapter
- 3.Eyepiece guard
- 4.Adapter ring (14/31)
- 5.18650 battery
- 6.Charger

Product Diagram



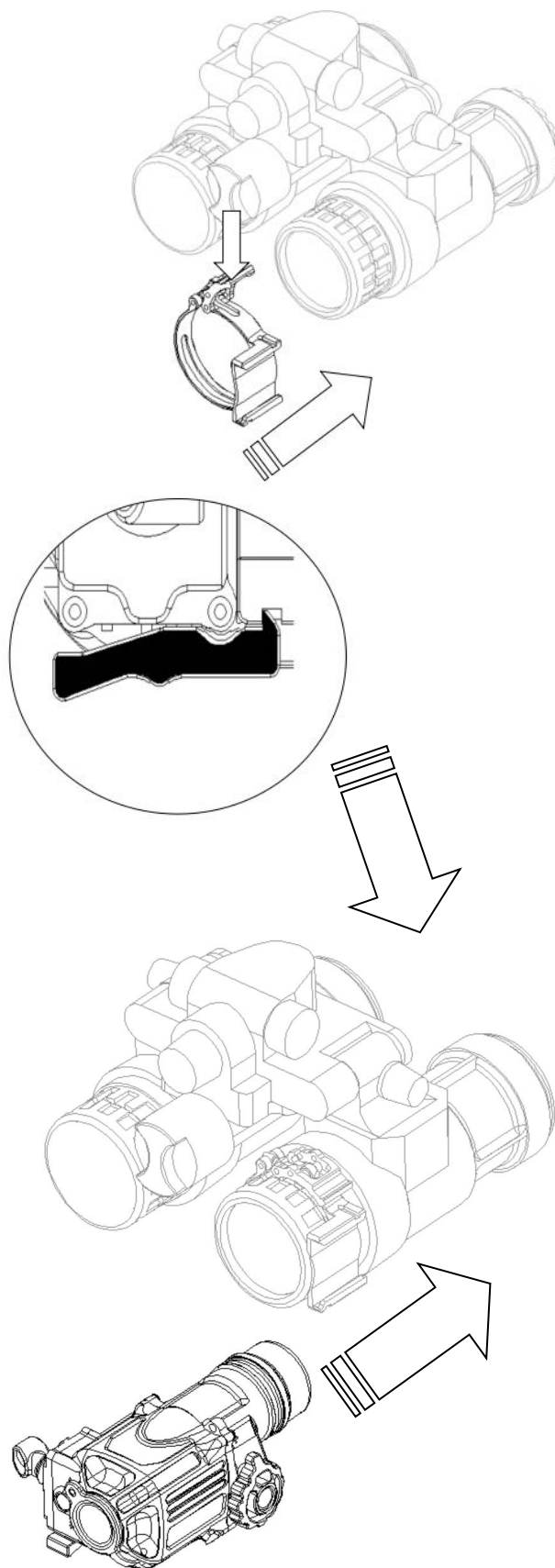
Battery Installation

Install battery with the corresponding battery adapter as indicated below.



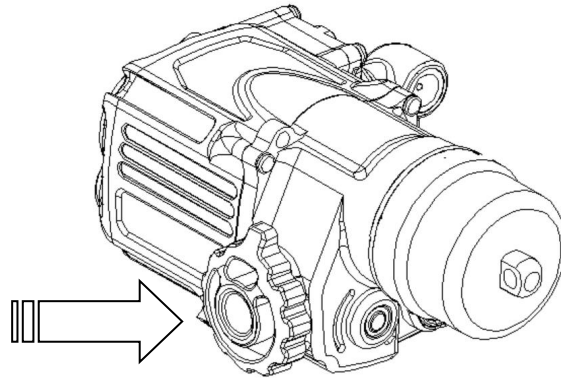
Attach the correct adapter ring (14/31) onto the objective lens of your NVD.

Once this is complete, attach the GCO115640 onto the rail of the adapter ring.



Mode Selection

Rotate the adjustment knob to switch between Complete thermal, Hybrid and Outline modes.



Complete Thermal Mode – Most sensitive, fully identifying heat producing subjects.

Hybrid Mode – Less sensitive, only identifying the main sources of heat.

Outline Mode – Identifies outlines of heat producing subjects.

Complete Thermal

Hybrid Mode

Outline Mode



Hold down the adjustment knob for image correction and initialization

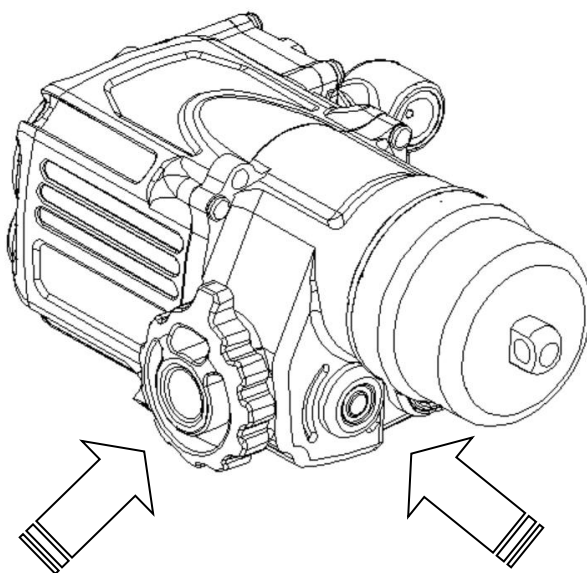


Constant and Temporary Display Modes

Press the function button to switch between the constant and temporary display modes.

Constant display mode – Images will be always displayed on-screen and rotating the adjustment knob adjusts screen brightness (weak-medium-bright).

Temporary display mode – Images will be displayed briefly at intervals of 2s and rotating the adjustment knob adjusts the frequency of display (low-medium-high).



Outline + Constant display mode



Outline + Temporary display mode


Menu

Hold down the function button to access the menu.

Use the adjustment knob to switch between menu options.

Use the function button to select options.



Voltage - 1.5v (cr123a) or 3.8v battery (18650). To avoid battery damage, please switch off the device and replace batteries when the low battery  indicator appears on screen.

Menu positioning – adjust menu positioning with respect to GCO115640 mounting position (360° adjustment)

Auto Brightness Adjustment - ON/OFF

Video output - ON/OFF external output to PAL video

Factory Reset - Restore factory defaults

Save settings and quit menu – Automatically save settings and return to main screen.

Parameters >

Model	GCO115640
Resolution	640×512
Pixel size	12μm
Focal length	11.5mm
FOV	30.5°
Coverage of 40° Objective lens	76%
Modes	Complete Thermal/Hybrid/Outline
Adjustment	Brightness/Frequency
Auto Brightness Control	Yes
Image correction	Yes
Video Output	(PAL\DC-5V)
Operating Temp	-40°C - +60°C
IP Rating	IP67

93g/110g

N.W/G.W

