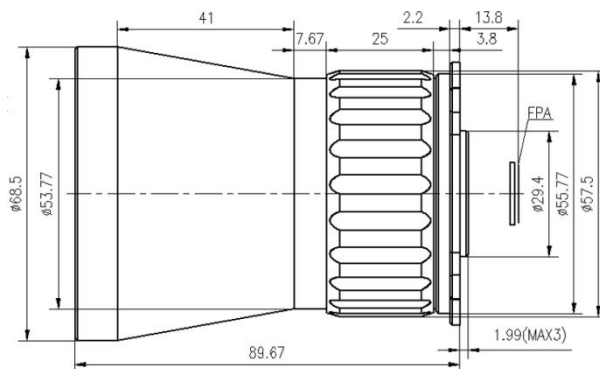


GLM75125D 75mm f1.25 Manual Infrared Lens



HFOV	160x120	320x240	336x256	384x288	640x480	640x512
25μm	3.1 °	6.1 °	6.4 °	7.3 °		
17μm	2.1 °	4.2 °	4.4 °	5.0 °	8.3 °	8.3 °
12μm	1.5 °	2.9 °	3.1 °	3.5 °	5.9 °	5.9 °

Optical

Focal Length	75mm
F/#	1.25
Wavelength	8-12μm
Format	Ø14
Focus Range	5m-infinity

Mechanical

Focus Mechanism	Manual
Dimensions (mm)	Ø68.5 × 89.67
Weight	<258g

Environmental

Sealing	IP 67
Operating Temperature	-30°C to +70°C
External Coating	DLC