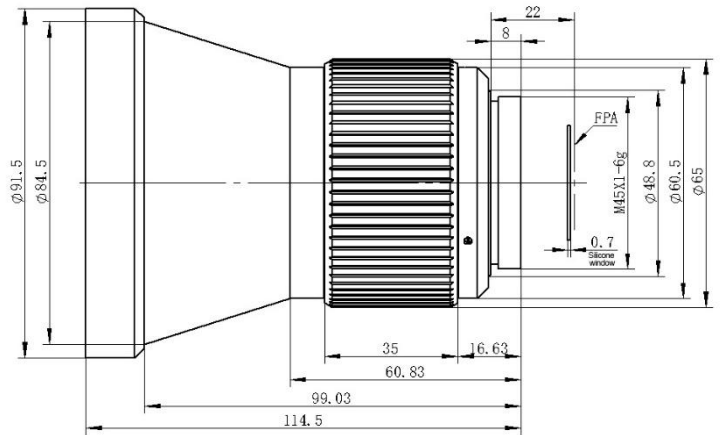


GLM10012C 100mm f/1.2 Manual Infrared Lens



HFOV	160x120	320x240	336x256	384x288	640x480	640x512
25μm	2.3 °	4.6 °	4.8 °	5.5 °		
17μm	1.6 °	3.1 °	3.3 °	3.7 °	6.2 °	6.2 °
12μm	1.1 °	2.2 °	2.3 °	2.6 °	4.4 °	4.4 °

Optical

Focal Length	100mm
F/#	1.2
Wavelength	8-12μm
Focus Range	3m-Infinity
Format	Ø14

Mechanical

Interface	Thread
Focus Mechanism	Manual
Dimensions (mm)	Ø91.5x114.5
Weight	<520g

Environmental

Operating Temperature	-40°C to +60°C
Storage Temperature	-45°C to +65°C
Front Element Sealing	IP67
External Coating	DLC