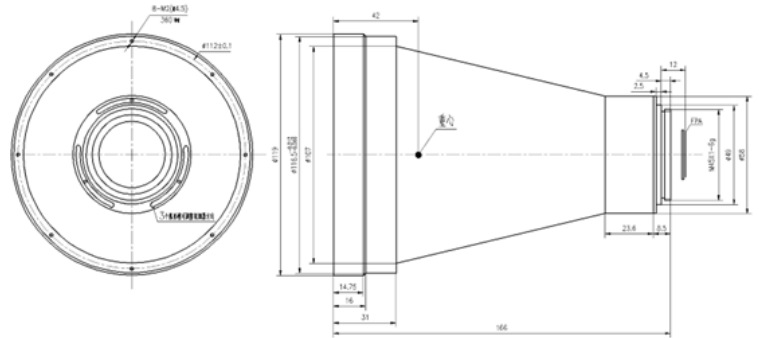


GLA12512D 125mm f/1.2 Optical Athermalized Infrared Le



HFOV	160x120	320x240	336x256	384x288	640x480	640x512	1024x768	1280x1024
17μm	1.2°	2.5°	2.6°	3.0°	5.0°	5.0°	8.0°	
12μm	0.9°	1.8°	1.8°	2.1°	3.5°	3.5°	5.6°	7.0°

Optical

Focal Length	125mm
F/#	1.2
Wavelength	8-12μm
Format	Ø22

Mechanical

Interface	Thread
Focus Mechanism	Fixed Athermalized
Dimensions (mm)	Ø119x116
Weight	<1060g

Environmental

Operating Temperature	-40°C to +60°C
Storage Temperature	-45°C to +65°C
Sealing	IP67
External Coating	DLC