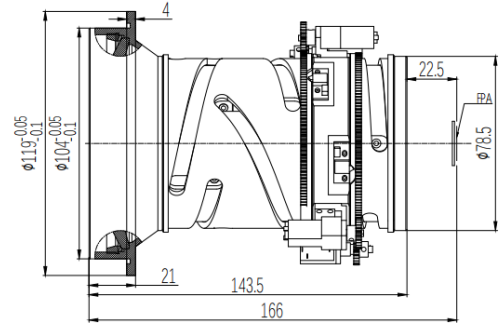
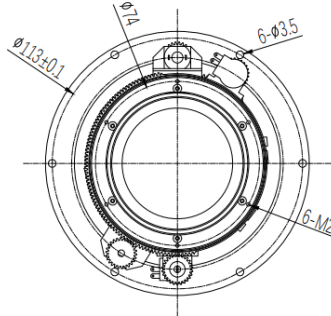


## GCZ52012K 20-100mm f/0.85-1.2 Continuous Zoom Infrared Lens



HFOV	160x120	320x240	336x256	384x288	640x480	640x512	1024x768
12 $\mu$ m		2.2°-11°					7°-34.2°
35 $\mu$ m				7.7°-37.1°			
25 $\mu$ m		4.6°-22.6°		5.5°-27°			
17 $\mu$ m			3.3°-16.3°			6.2°-30.4°	9.9°-47°

### Optical

Focal Length(mm)	20-100
F/#	0.85-1.2
Wavelength	8-12 $\mu$ m
Format	$\phi 15.5$

### Mechanical

Focus Mechanism	Motorized
Dimensions (mm)	$\phi 104 \times 143.5$ (Front flange $\phi 119$ )
Weight	<1.24kg

### Electrical & Communications

Power Input	DC 6-12V
Communications	NA

### Environmental

Operating Temperature	-40°C to +60°C
Storage Temperature	-40°C to +80°C
Front Element Sealing	IP67
External Coating	DLC/AR