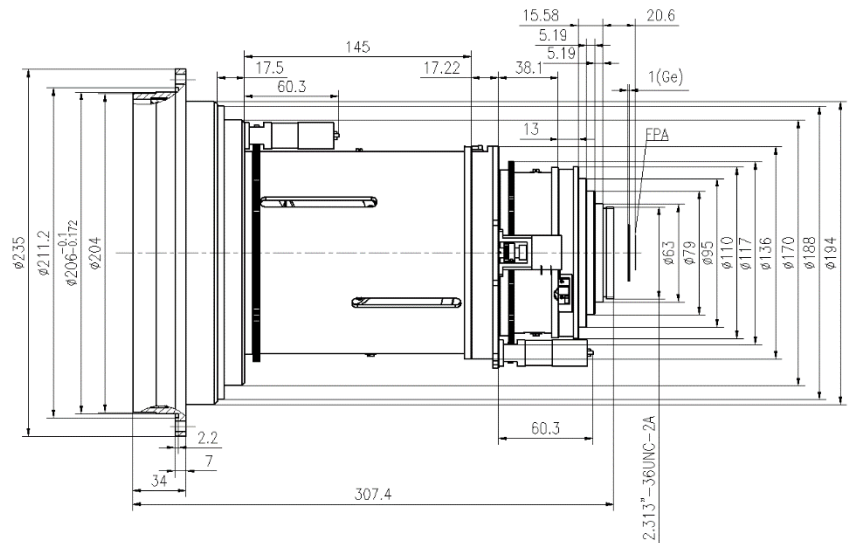


## GCZ92513KD 25-225mm f/0.85-1.3 Continuous Zoom Infrared Lens



HFOV	336x256	384x288	640x480	640x512	1024x768	1280x1024
25μm		2.4°-21.7°			6.5°-54.2°	
17μm	1.5°-13°	1.7°-14.9°	2.8°-24.6°	2.8°-24.6°	4.4°-38.4°	
12μm	1°-9.2°	1.2°-10.5°	2°-17.5°	2°-17.5°	3.1°-27.6°	3.9°-34.2°

### Optical

Focal Length(mm)	25-225mm 9X Continuous Zoom
F/#	0.85-1.3
Wavelength	8-12μm
Focus Range	15m-Infinity

### Mechanical

Interface	Flange
Focus Mechanism	Motorized
Dimensions (mm)	Ø206x307.4(Front flange Φ235)
Weight	<6.1kg

### Electrical & Communications

Power Input	DC12V
Communications	Optional

### Environmental

Operating Temperature	-40°C to +60°C
Storage Temperature	-40°C to +80°C
Front Infrared Lens Sealing	IP67
External Coating	DLC