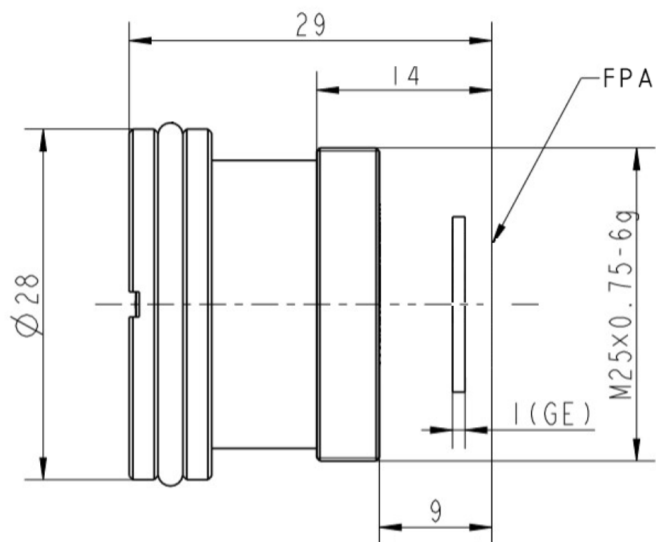


## GLA1910WA 19mm f/1.0 Athermalized Infrared Lens



HFOV	160x120	320x240	336x256	384x288	640x480	640x512
25μm	12°	23.8°	24.9°	28.4°		
17μm	8.2°	16.3°	17.1°	19.5°	32°	32°
12μm	5.8°	11.5°	12.1°	13.8°	22.9°	22.9°

### Optical

Focal Length	19mm
F/#	1.0
Wavelength	8-12μm

### Mechanical

Interface	Thread
Focus Mechanism	Fixed Athermalized
Dimensions (mm)	Ø28x20
Weight	< 30g

### Environmental

Sealing	IP 67
Operating Temperature	-40°C to +60°C
Storage Temperature	-45°C to +65°C
External Coating	HD