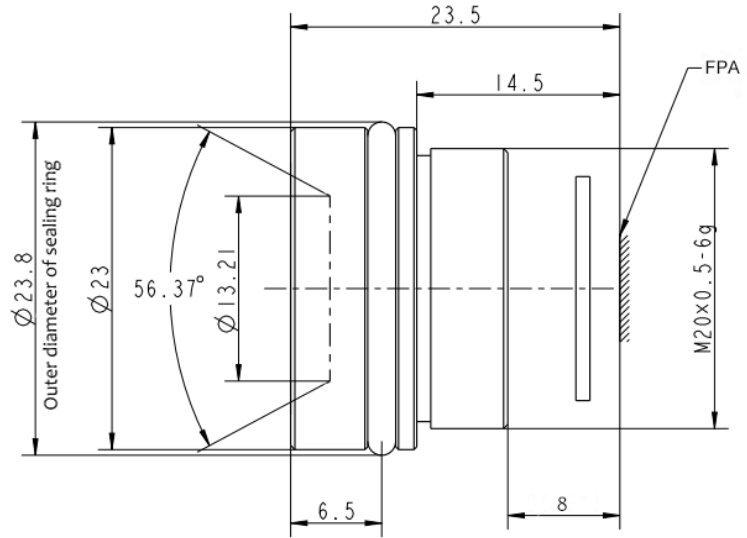


GLA1310ZD 13mm f/1.0 Optical Athermalized Infrared Lens



HFOV	160x120	320x240	336x256	384x288	640x480	640x512
25 μ m	17.5°	34.2°	35.8°	40.5°		
17 μ m	11.9°	23.6°	24.8°	28.2°	45.4°	45.4°
12 μ m	8.4°	16.8°	17.6°	20.1°	32.9°	32.9°

Optical

Focal Length	13mm
F/#	1.0
Wavelength	8-12 μ m
Focus Range	1m-Infinity

Mechanical

Interface	Thread
Focus Mechanism	Fixed Athermalized
Dimensions (mm)	\varnothing 23x15.5
Weight	\leq 21.5g

Environmental

Sealing	IP 67
Operating Temperature	-40°C to +60°C
Storage Temperature	-45°C to +65°C
External Coating	DLC