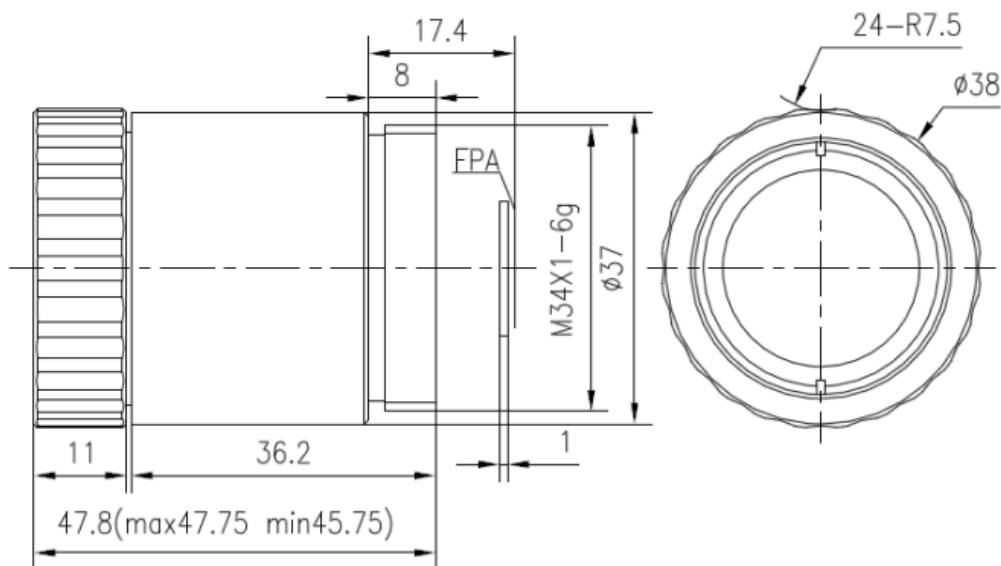


## GLM1110D 11mm f/1.0 Manual Infrared Lens



HFOV	160x120	320x240	336x256	384x288	640x480	640x512
25μm	20.6 °	40.0 °	41.8 °	47.1 °		
17μm	14.1 °	27.8 °	29.1 °	33.1 °	52.6 °	52.6 °
12μm	10.0 °	19.8 °	20.8 °	23.7 °	38.5 °	38.5 °

### Optical

Focal Length	11mm
F/#	1.0
Wavelength	8-12μm
Focus Range	1m-Infinity

### Mechanical

Interface	Thread
Focus Mechanism	Manual
Dimensions (mm)	Ø38x 47.8
Weight	<110g

### Environmental

Operating Temperature	-40°C to +60°C
Storage Temperature	-45°C to +65°C
External Coating	DLC
Front Element Sealing	IP67