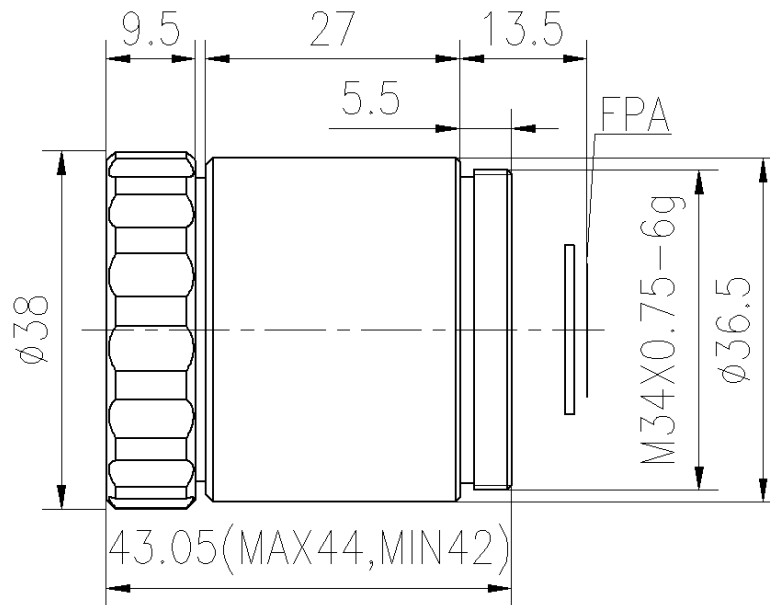


GLM1010 10mm f/1.0 Manual Infrared Lens



HFOV	160x120	320x240	336x256	384x288	640x480	640x512
25 μ m	22.6°	43.6°	45.6°	51.3°		
17 μ m	15.5°	30.4°	31.9°	36.2°	57.1°	57.1°
12 μ m	11.0°	21.7°	22.8°	25.9°	42.0°	42.0°

Optical

Focal Length	10mm
F/#	1.0
Wavelength	8-12 μ m
Focus Range	0.5m-Infinity

Mechanical

Interface	Thread
Focus Mechanism	Manual
Dimensions (mm)	$\phi 38 \times 43.05$
Weight	<97g

Environmental

Operating Temperature	-40°C to +60°C
Storage Temperature	-45°C to +65°C
External Coating	DLC/AR
Front Element Sealing	IP67