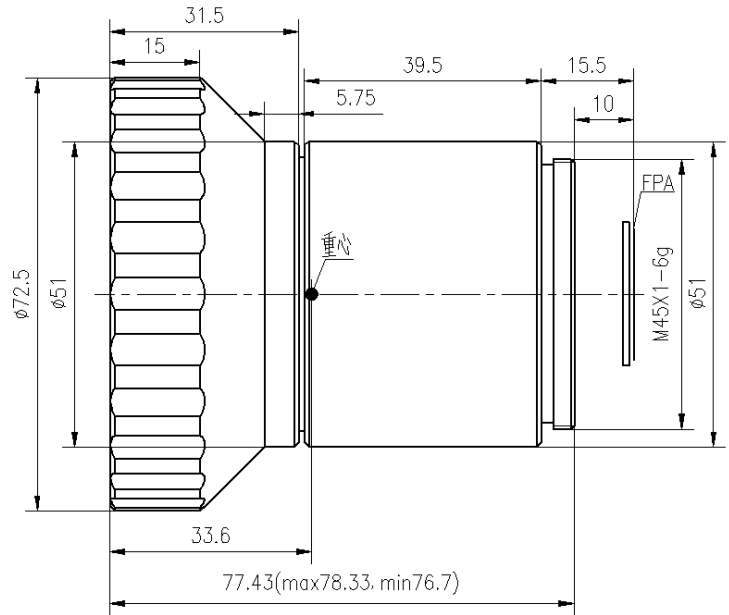


## GLA1310K 13mm f/1.0 Optical Athermalized Infrared Lens



HFOV	160x120	320x240	336x256	384x288	640x480	640x512	1024x768	1280x1024
25 $\mu$ m	17.5°	34.2°	35.8°	40.5°	63.2°	63.2°		
17 $\mu$ m	11.9°	23.6°	24.8°	28.2°	45.4°	45.4°	67.6°	
12 $\mu$ m	8.4°	16.8°	17.6°	20.1°	32.9°	32.9°	50.6°	61.1°

### Optical

Focal Length	13mm
F/#	1.0
Wavelength	8-12 $\mu$ m
Focus Range	1m-Infinity

### Mechanical

Interface	Thread
Focus Mechanism	Fixed Athermalized
Dimensions (mm)	$\phi 72.5 \times 77.43$
Weight	<275g

### Environmental

Sealing	IP 67
Operating Temperature	-40°C to +60°C
Storage Temperature	-45°C to +65°C
External Coating	DLC