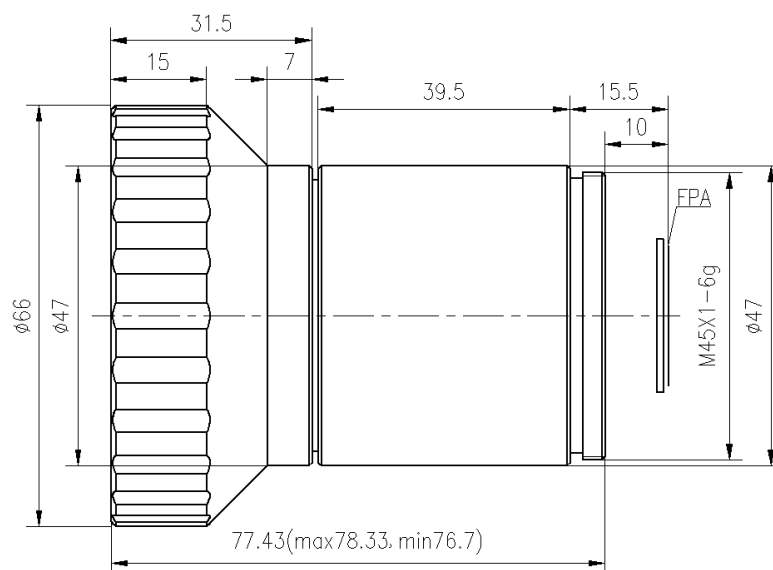


GLA1510K 15mm f/1.0 Optical Athermalized Infrared Lens



HFOV	160x120	320x240	336x256	384x288	640x480	640x512	1024x768	1280x1024
25μm	15.2 °	29.9 °	31.3 °	35.5 °	56.1 °	56.1 °		
17μm	10.4 °	20.6 °	21.6 °	24.6 °	39.9 °	39.9 °	60.3 °	
12μm	7.3 °	14.6 °	15.3 °	17.5 °	28.7 °	28.7 °	44.5 °	54.2 °

Optical

Focal Length	15mm
F/#	1.0
Wavelength	8-12μm
Focus Range	1m-Infinity

Mechanical

Interface	Thread
Focus Mechanism	Fixed Athermalized
Dimensions (mm)	Ø66x77.43
Weight	< 300g

Environmental

Sealing	IP 67
Operating Temperature	-40°C to +60°C
Storage Temperature	-45°C to +65°C
External Coating	AR