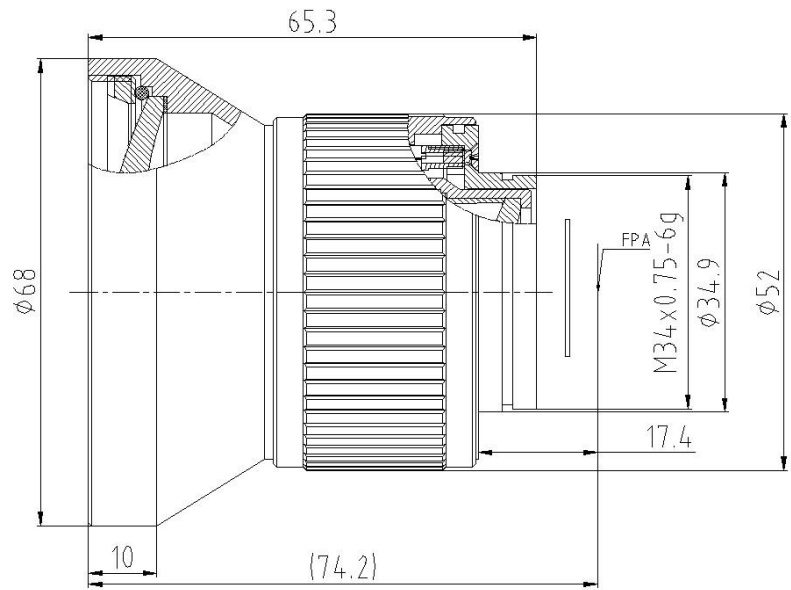


GLM5410ZHD 54mm f/1.0 Manual Infrared Lens



HFOV	160x120	320x240	336x256	384x288	640x480	640x512	1024x768	1280x1024
25μm	4.2°	8.5°	8.9°	10.2°				
17μm	2.9°	5.8°	6.1°	6.9°	11.5°	11.5°		
12μm	2.0°	4.1°	4.3°	4.9°	8.1°	8.1°		

Optical

Focal Length	54mm
F/#	1.0
Average Transmission	≥83%
Wavelength	8-12μm
Focus Range	3m-Infinity
Format	Ø14

Mechanical

Interface	Thread
Focus Mechanism	Manual
Dimensions (mm)	Ø68x65.3
Weight	<240g

Environmental

Operating Temperature	-40°C to +60°C
Storage Temperature	-40°C to +80°C
Front Element Sealing	IP67
External Coating	DLC