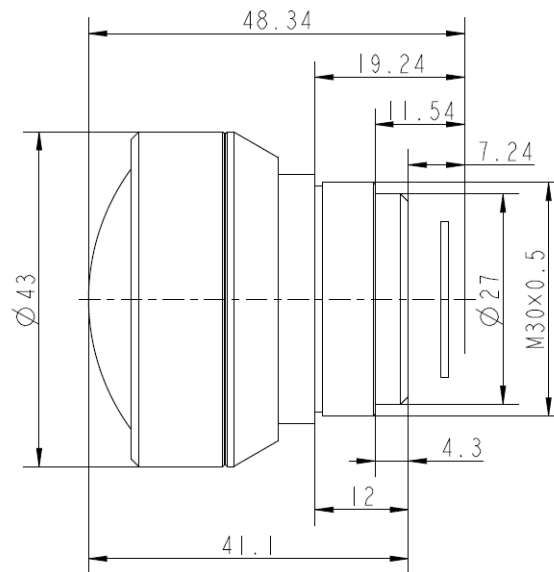


GLA4512ZA 45mm f/1.2 Optical Athermalized Infrared Lens



HFOV	160x120	320x240	336x256	384x288	640x480	640x512
25 μ m	5.1°	10.2°	10.7°	12.2°		
17 μ m	3.5°	6.9°	7.3°	8.3°	13.8°	13.8°
12 μ m	2.4°	4.9°	5.1°	5.9°	9.8°	9.8°

Optical

Focal Length	45mm
F/#	1.2
Average Transmittance	≥90%
Wavelength	8-12 μ m

Mechanical

Interface	Thread
Focus Mechanism	Fixed Athermalized
Dimensions (mm)	Ø43x41.1
Weight	<100g

Environmental

Sealing	IP 67
Operating Temperature	-40°C to +80°C
External Coating	AR