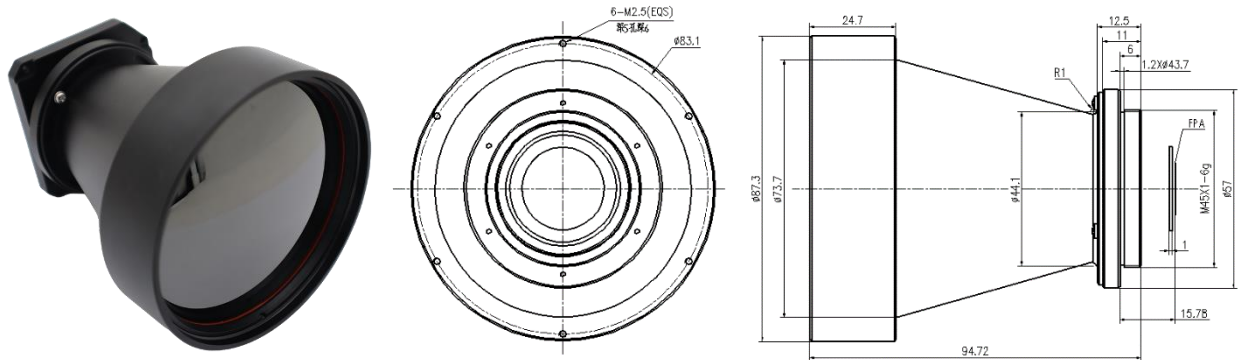


## GLA7510KD 75mm f/1.0 Athermalized Infrared Lens



HFOV	160x120	320x240	336x256	384x288	640x480	640x512	1024x768	1280x1024
17µm			4.4 °	5.0 °	8.3 °	8.3 °	13.2 °	
12µm			3.1 °	3.5 °	5.9 °	5.9 °	9.4 °	11.7 °

### Optical

Focal Length	75mm
F/#	1.0
Format	Ø21.8

### Mechanical

Focus Mechanism	Fixed Athermalized
Dimensions (mm)	Ø87.3x 94.72
Weight	491g

### Environmental

Sealing	IP 67
Operating Temperature	-40°C to +60°C
Storage Temperature	-45°C to +65°C
External Coating	DLC