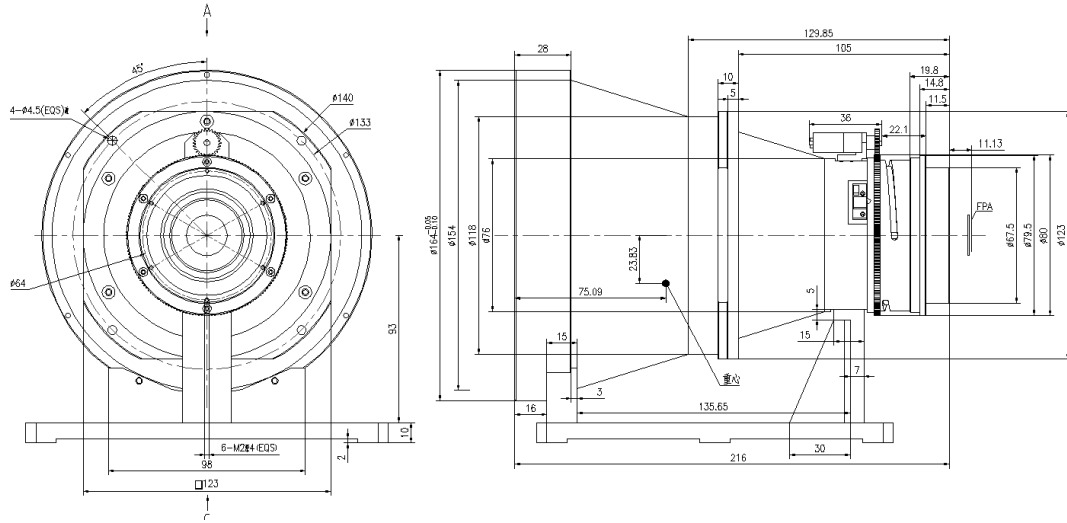


GLE18012 180mm f/1.2 Motorized Infrared Lens



HFOV	160x120	320x240	336x256	384x288	640x480	640x512
25μm	1.3°	2.5°	2.7°	3.1°		
17μm	0.9°	1.7°	1.8°	2.1°	3.5°	3.5°
12μm	0.6°	1.2°	1.3°	1.5°	2.4°	2.4°

Optical

Focal Length	180mm
F/#	1.2
Wavelength	8-14μm
Focus Range	5m -Infinity
Format	Ø14

Mechanical

Interface	Mounting Bracket
Focus Mechanism	Motorized
Dimensions(mm)	Ø164x216
Weight	<2630g

Electrical & Communications

Power Input	DC 6-12V 0.2A
-------------	---------------

Environmental

Operating Temperature	-30°C to +50°C
Storage Temperature	-40°C to +60°C
Front Element Sealing	IP67
External Coating	DLC