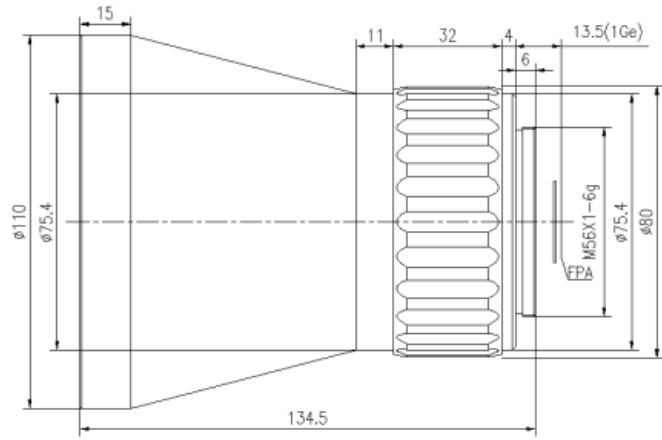


GLM10010KD 100mm f/1.0 Manual Infrared Lens



HFOV	160x120	320x240	336x256	384x288	640x480	640x512	1024x768	1280x1024
25μm	2.3°	4.6°	4.8°	5.5°				
17μm	1.6°	3.1°	3.3°	3.7°	6.2°	6.2°	9.9°	
12μm	1.1°	2.2°	2.3°	2.6°	4.4°	4.4°	7.0°	8.8°

Optical

Focal Length	100mm
F/#	1.0
Wavelength	8-12μm
Focus Range	15m-Infinity

Mechanical

Interface	Thread
Focus Mechanism	Manual
Dimensions (mm)	Ø110x 134.5
Weight	<845g

Environmental

Operating Temperature	-40°C to +60°C
Storage Temperature	-45°C to +65°C
External Coating	DLC
Front Element Sealing	IP67