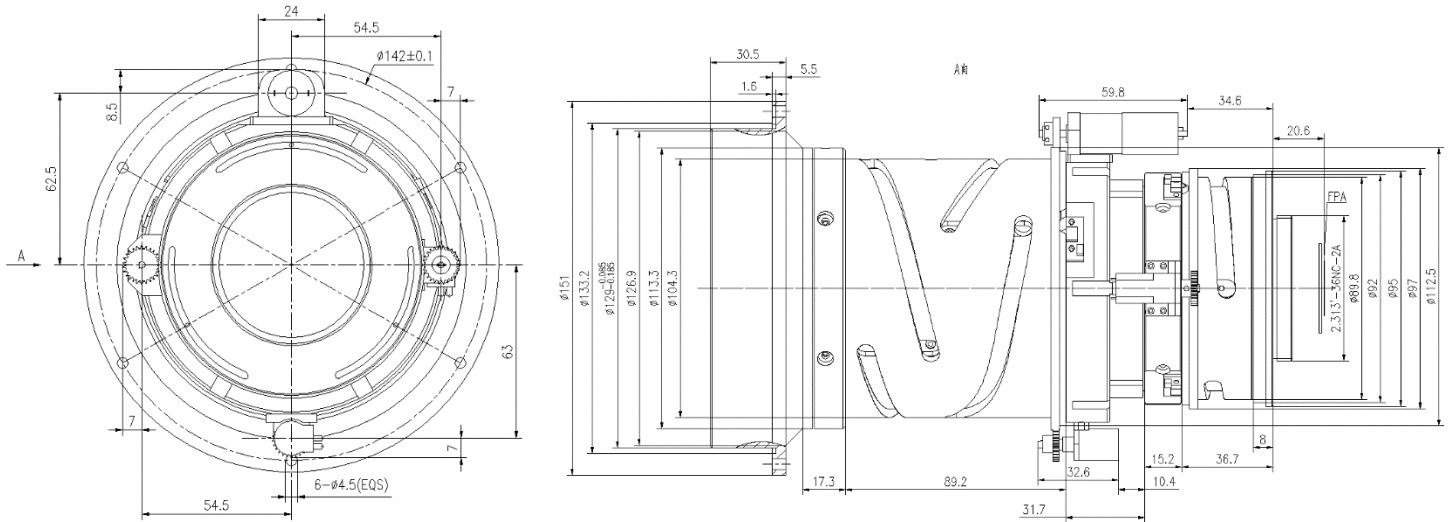


GCZ42511KD 25-100mm f/0.9 - 1.1 Continuous Zoom Infrared Lens



HFOV	384x288	640x480	640x512	1024x768	1280x1024
35μm	7.7°-30.1°				
25μm	5.5°-21.7°				
17μm	3.7°-14.9°	6.2°-24.6°	6.2°-24.6°	9.9°-38.4°	12.4°-47°
12μm	2.6°-10.5°	4.4°-17.5°	4.4°-17.5°	7°-27.6°	8.8°-34.2°

Optical

Focal Length(mm)	25-100
F/#	0.9-1.1
Wavelength	8-12μm
Focus Range	3m-Infinity
Format	Ø21.8

Mechanical

Interface	Flange
Focus Mechanism	Motorized
Dimensions (mm)	Ø129 x 235(Front flange Φ151)
Weight	<2.8kg

Electrical & Communications

Power Input	DC 6-12V
Communications	NA

Environmental

Operating Temperature	-40°C to +60°C
Storage Temperature	-40°C to +80°C
Front Element Sealing	IP67
External Coating	DLC