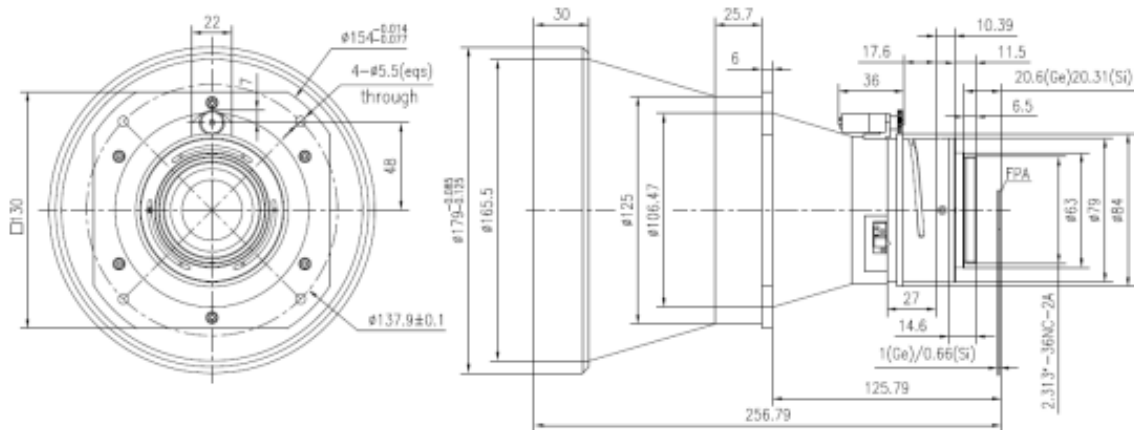


GLE21013KD 210mm f/1.3 Motorized Infrared Lens



HFOV	160x120	320x240	336x256	384x288	640x480	640x512	1024x768	1280x1024
25μm	1.1 °	2.2 °	2.3 °	2.6 °	4.4 °			
17μm	0.7 °	1.5 °	1.6 °	1.8 °	3.0 °	3.0 °	4.7 °	
12μm	0.5 °	1.0 °	1.1 °	1.3 °	2.1 °	2.1 °	3.4 °	4.2 °

Optical

Focal Length	210mm
F/#	1.3
Wavelength	8-12μm
Focus Range	30m-Infinty
Format	Ø20

Mechanical

Focus Mechanism	Motorized
Dimensions (mm)	Ø242.69x 179
Weight	≤2.275kg

Electrical & Communications

Power Input	DC 9V(6-12V)
Communications	NA

Environmental

Operating Temperature	-40°C to +60°C
Storage Temperature	-50°C to +80°C
Front Element Sealing	IP67
External Coating	DLC